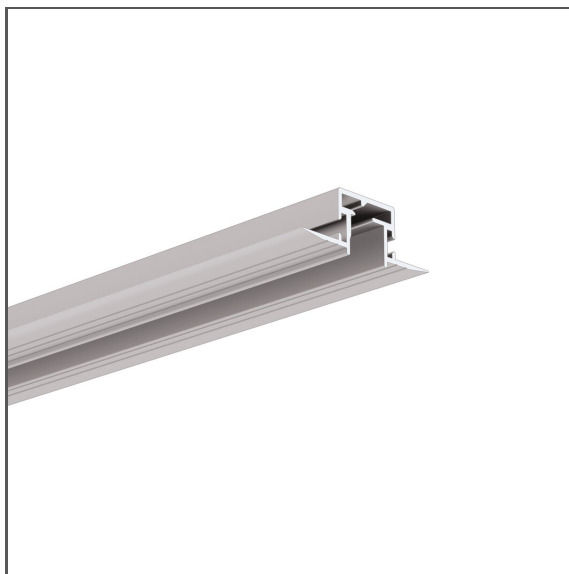


Profile TEPIKO

Ref. A18046

Ref. arch 18046



- Mounting track
- Easy servicing of the PIKO-ZM Profile
- Mounting to 12,5 mm - 0.49" drywall
- No collision with the ceiling structure
- Non visible aluminum elements

APPLICATION

- makes mounting and service of the PIKO-ZM profile easy

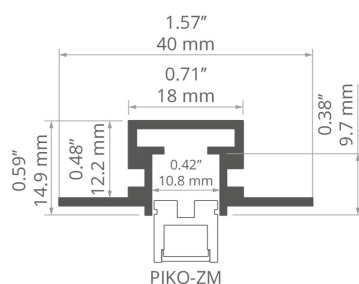
MOUNTING

- in drywall, with mounting adhesive
- can be easily connected into runs and systems

ADDITIONAL INFORMATION

- smooth transition from a recessed into a suspended fixture
- standard lengths of KLUŚ profiles and covers: 1000 mm (tolerance ± 1.5 mm) and 2005 mm / 3010 mm (tolerance + 5 mm); for selected covers: 6050 mm, 10050 mm (tolerance + 5 mm)
- when choosing a different length of profiles / covers than available in the standard, you should additionally choose the cutting service at KLUŚ

TECHNICAL DRAWING



TECHNICAL SPECIFICATIONS

Material	aluminum
Color	■ silver non anodized
Possible fixture shapes	linear, polygonal
Profile cross-section	rectangular
Width	40 mm
Height	14.9 mm
Building type	Residential, Retail, Entertainment/ Arts, HoReCa object
Facility zone	lobby / foyer, industrial and technical, conference room, office
Can be easily connected into runs	yes
Mounting to drywall	yes
To cover with plaster	yes
Wire out back of extrusion	yes

Length	Ref
1000 mm	A18046N_1 18046NA_1
2005 mm	A18046N_2 18046NA_2
3010 mm	A18046N_3 18046NA_3

Profile TEPIKO

Ref. A18046

Ref. arch 18046

SAMPLE PROJECTS



RELATED PROFILES > MINIMALISTIC



PIKO-ZM
A01168
Ref. arch C1168

RELATED ACCESSORIES > RELATED END CAPS

NAME	MATERIAL	COLOR	REF.
TEPIKO	PP	gray	C24303C02 24303

RELATED ACCESSORIES > OTHER RELATED ACCESSORIES > CONNECTORS



CONNECTOR
ZM-180
C28075N00
Ref. arch 40693

Profile TEPIKO

Ref. A18046

Ref. arch 18046

RELATED ACCESSORIES > OTHER RELATED ACCESSORIES > LATCHES



LATCH

TEKNIK

C24003C10

Ref. arch 24003