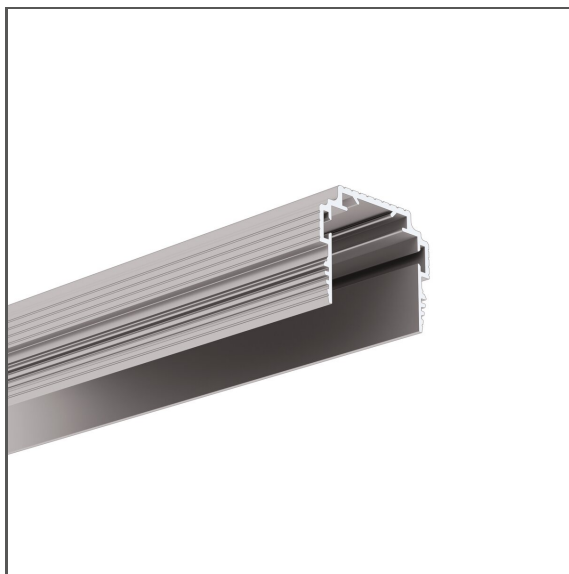


Profile TEKNIK-ZM-TK

Ref. A01554

Ref. arch C1554



- Mounting track
- Installation in solid masonry surfaces
- Functions as a plaster guide
- Easy servicing of the lighting fixture
- Non visible aluminum elements

APPLICATION

- makes installation and service of lighting fixtures easy

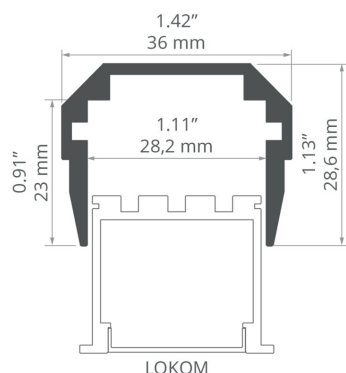
MOUNTING

- in solid surface, with mounting adhesive
- can be easily connected into runs and systems

ADDITIONAL INFORMATION

- in order to protect the lighting fixture during installation, a TECH-28 protective insert should be used
- recommended dimensions of the slot for assembly: 40 mm wide and 35 mm deep
- standard lengths of KLUŚ profiles and covers: 1000 mm (tolerance ± 1.5 mm) and 2005 mm / 3010 mm (tolerance + 5 mm); for selected covers: 6050 mm, 10050 mm (tolerance + 5 mm)
- when choosing a different length of profiles / covers than available in the standard, you should additionally choose the cutting service at KLUŚ

TECHNICAL DRAWING



TECHNICAL SPECIFICATIONS

Material	aluminum
Color	■ silver non anodized
Possible fixture shapes	linear, polygonal
Profile cross-section	rectangular
Width	36 mm
Height	28.6 mm
Building type	Entertainment/ Arts, HoReCa object, Commercial, Retail
Facility zone	lobby / foyer, industrial and technical, conference room, office, communication routes and corridors
Can be easily connected into runs	yes
To cover with plaster	yes
Wire out back of extrusion	yes

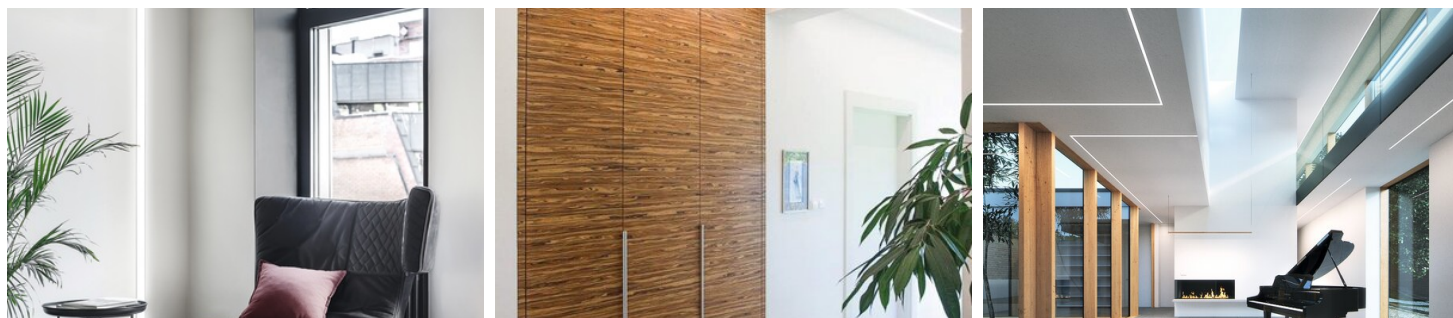
Length	Ref
1000 mm	A01554N_1 C1554NA_1
2005 mm	A01554N_2 C1554NA_2
3010 mm	A01554N_3 C1554NA_3

Profile TEKNIK-ZM-TK

Ref. A01554

Ref. arch C1554

SAMPLE PROJECTS



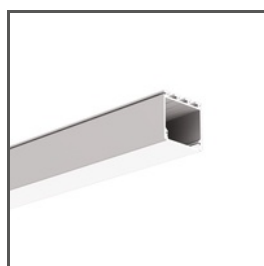
RELATED PROFILES > ARCHITECTURAL



GIZA-LL
A00758
Ref. arch C0758



GIZA
A05556
Ref. arch B5556





LIPOD
A05554
Ref. arch B5554



LOKOM
A05553
Ref. arch B5553

RELATED ACCESSORIES > RELATED END CAPS

NAME		MATERIAL	COLOR	REF.
TEKNIK-ZM		PP	 gray	C24264C02 24264

RELATED ACCESSORIES > OTHER RELATED ACCESSORIES > LATCHES



LATCH
TEKNIK
C24003C10
Ref. arch 24003

Profile TEKNIK-ZM-TK

Ref. A01554

Ref. arch C1554

RELATED ACCESSORIES > OTHER RELATED ACCESSORIES > TECHNICAL AND PROTECTIVE INSERTS



PROTECTIVE INSERT

TECH-28

C28262C02

Ref. arch 17168