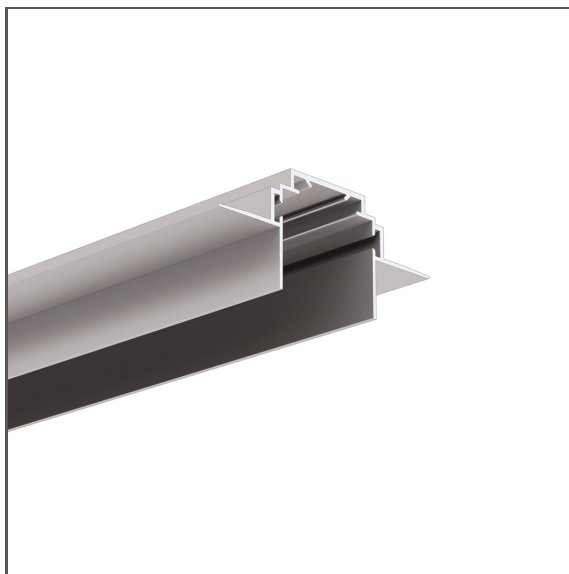


Profile TEKNIK-ZM

Ref. A00399

Ref. arch C0399



- Mounting track
- Mounting to 12,5 mm - 0.49" drywall
- Easy servicing of the lighting fixture
- Stable mounting to a suspended ceiling
- Non visible aluminum elements

APPLICATION

- makes installation and service of lighting fixtures easy

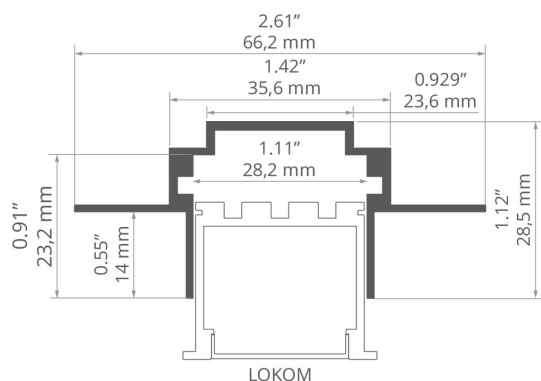
MOUNTING

- in drywall, with screws
- can be easily connected into runs and systems

ADDITIONAL INFORMATION

- standard lengths of KLUŚ profiles and covers: 1000 mm (tolerance ± 1.5 mm) and 2005 mm / 3010 mm (tolerance + 5 mm); for selected covers: 6050 mm, 10050 mm (tolerance + 5 mm)
- when choosing a different length of profiles / covers than available in the standard, you should additionally choose the cutting service at KLUŚ

TECHNICAL DRAWING



TECHNICAL SPECIFICATIONS

Material	aluminum
Color	■ silver non anodized
Possible fixture shapes	linear, polygonal
Profile cross-section	rectangular
Width	66.2 mm
Height	28.5 mm
Building type	Entertainment/ Arts, HoReCa object, Commercial, Retail
Facility zone	lobby / foyer, industrial and technical, conference room, office, communication routes and corridors
Can be easily connected into runs	yes
Mounting to drywall	yes
To cover with plaster	yes
Wire out back of extrusion	yes

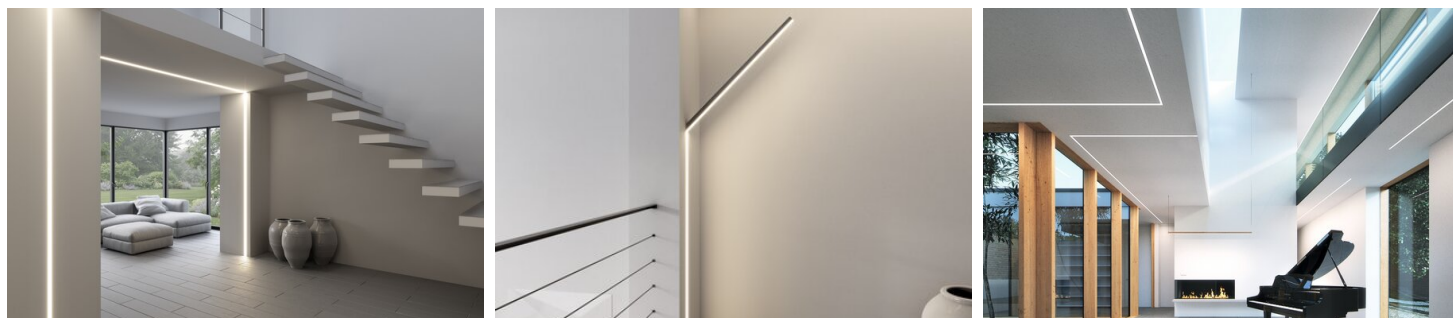
Length	Ref
1000 mm	A00399N_1 C0399NA_1
2005 mm	A00399N_2 C0399NA_2
3010 mm	A00399N_3 C0399NA_3

Profile TEKNIK-ZM

Ref. A00399

Ref. arch C0399

SAMPLE PROJECTS



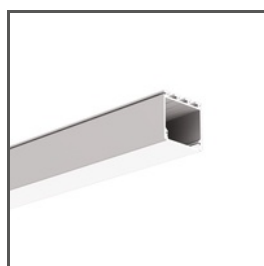
RELATED PROFILES > ARCHITECTURAL



GIZA-LL
A00758
Ref. arch C0758



GIZA
A05556
Ref. arch B5556



LIPOD
A05554
Ref. arch B5554



LOKOM
A05553
Ref. arch B5553

RELATED ACCESSORIES > RELATED END CAPS

NAME	MATERIAL	COLOR	REF.
TEKNIK-ZM	PP	gray	C24264C02 24264

RELATED ACCESSORIES > OTHER RELATED ACCESSORIES > LATCHES



LATCH
TEKNIK
C24003C10
Ref. arch 24003

Profile TEKNIK-ZM

Ref. A00399

Ref. arch C0399

RELATED ACCESSORIES > OTHER RELATED ACCESSORIES > OTHER



GLAND

6x1,2

C24517C07

Ref. arch 00802

RELATED ACCESSORIES > OTHER RELATED ACCESSORIES > TECHNICAL AND PROTECTIVE INSERTS



PROTECTIVE INSERT

TECH-28

C28262C02

Ref. arch 17168