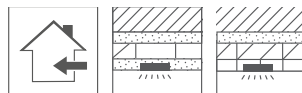
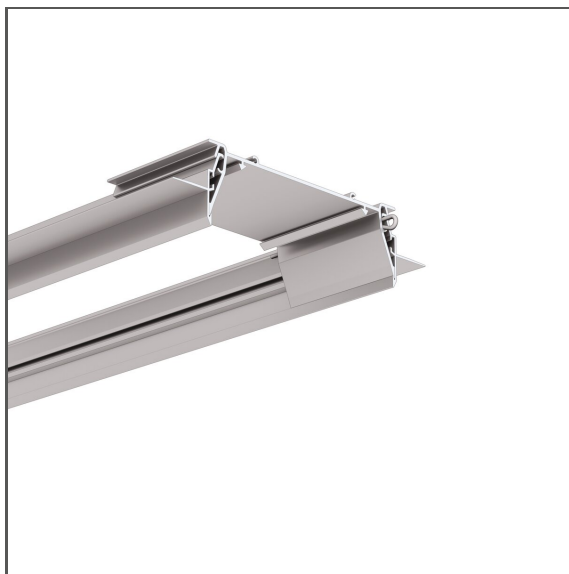


Profile RAM-TEK-100

Ref. A18061

Ref. arch 18061



- Mounting track
- Easy servicing of the OMODO-100 Profile
- Installation from below, wall to wall
- Openwork structure
- Adjustable spacing of bridges in the mounting track
- Mounting to 12,5 mm - 0.49" drywall
- Stable mounting to a suspended ceiling

APPLICATION

- makes mounting and service of the OMODO-100 profile easy

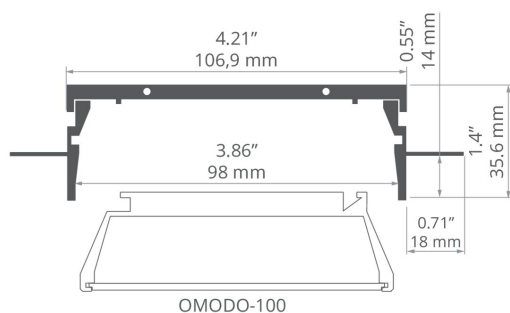
MOUNTING

- in drywall, with screws
- can be easily connected into runs and systems

ADDITIONAL INFORMATION

- standard lengths of KLUŚ profiles and covers: 1000 mm (tolerance ± 1.5 mm) and 2005 mm / 3010 mm (tolerance + 5 mm); for selected covers: 6050 mm, 10050 mm (tolerance + 5 mm)
- when choosing a different length of profiles / covers than available in the standard, you should additionally choose the cutting service at KLUŚ

TECHNICAL DRAWING



TECHNICAL SPECIFICATIONS

Material	aluminum
Color	■ silver non anodized
Possible fixture shapes	linear, polygonal
Width	106.9 mm
Height	35.6 mm
Building type	Commercial, Residential, HoReCa object, Entertainment/ Arts
Facility zone	lobby / foyer, office, conference room, communication routes and corridors
Can be easily connected into runs	yes
Mounting to drywall	yes
To cover with plaster	yes
Wire out back of extrusion	yes

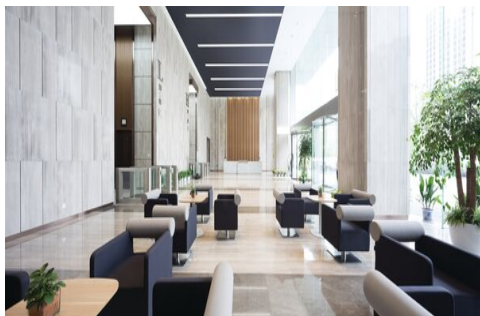
Length	Ref
1000 mm	A18061N_1 18061NA_1
2005 mm	A18061N_2 18061NA_2
3010 mm	A18061N_3 18061NA_3

Profile RAM-TEK-100

Ref. A18061

Ref. arch 18061

SAMPLE PROJECTS



RELATED PROFILES > FOR MAIN LIGHTING



OMODO-100

A18058

Ref. arch 18058

RELATED PROFILES > MOUNTING TRACKS



MOD-MOS-100

A01815

Ref. arch C1815



MOD-KR-TEK

A02052

Ref. arch C2052

RELATED ACCESSORIES > RELATED END CAPS

NAME	MATERIAL	COLOR	REF.
RAM-TEK-100	ABS	■ gray	C24357C02 24357

Profile RAM-TEK-100

Ref. A18061

Ref. arch 18061

RELATED ACCESSORIES > OTHER RELATED ACCESSORIES > ADDITIONAL ITEMS



TOOL
KR
Z70449
Ref. arch 70449



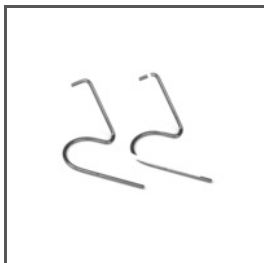
MOUNTING WEDGE
Z70397
Ref. arch 70397

RELATED ACCESSORIES > OTHER RELATED ACCESSORIES > CONNECTORS



CONNECTOR
ZM-180
C28075N00
Ref. arch 40693

RELATED ACCESSORIES > OTHER RELATED ACCESSORIES > SPRINGS FOR RECESSED MOUNT AND MOUNTING TRACKS



SPRING
RAM-1
C42738N00
Ref. arch 42738