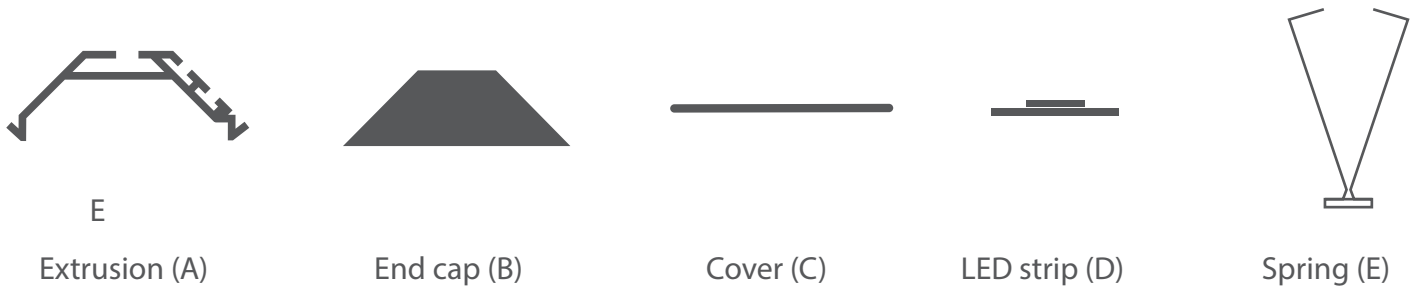


Parts needed to mount the KOPRO extrusion



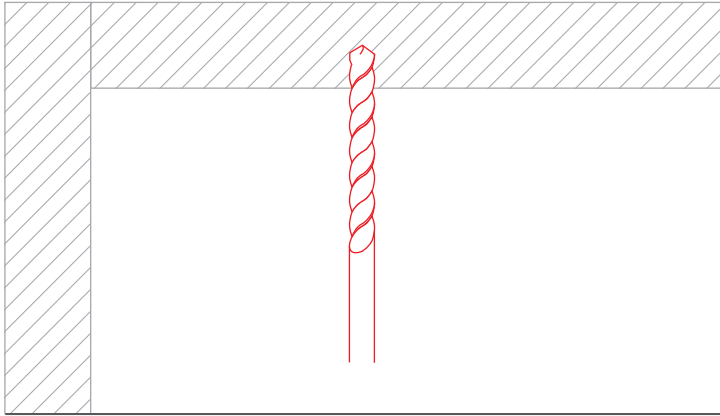
Tools needed for mounting:

- drill
- screwdriver

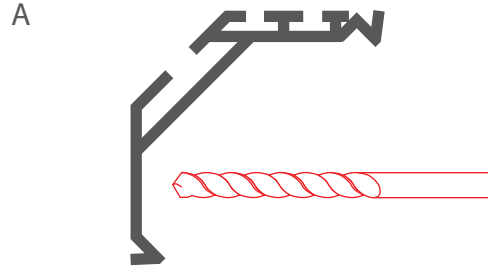
NOTE! All LED strips must be connected to a 12 V or 24 V power supply.

IMPORTANT: The manual presents the simplest mounting procedure.
More mounting procedures and related accessories can be found at klusdesign.eu

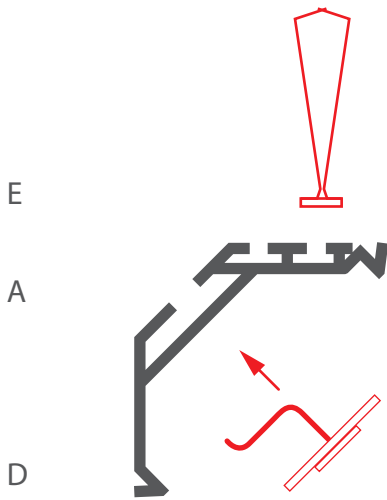
1. Drill holes in the mounting surface (min. \varnothing 10 mm) to mount the extrusion.



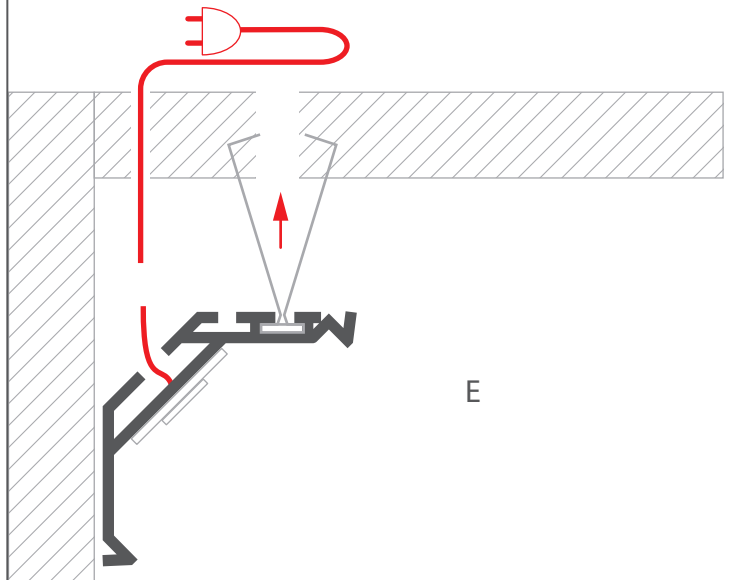
2. Drill holes in the extrusion for mounting.



3. Mount the LED strip (D), and slide the spring (E) into the extrusion (A).



4. Connect power, then mount the extrusion in the drilled holes using springs.



5. Insert the cover (C) and the end caps (B).

