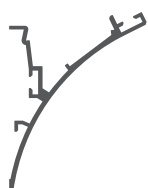


Parts needed to mount the WERKIN extrusion



Mounting strip (A)



Extrusion (B)



End caps (C)



Cover (D)



LED strip (E)



Spring (F)

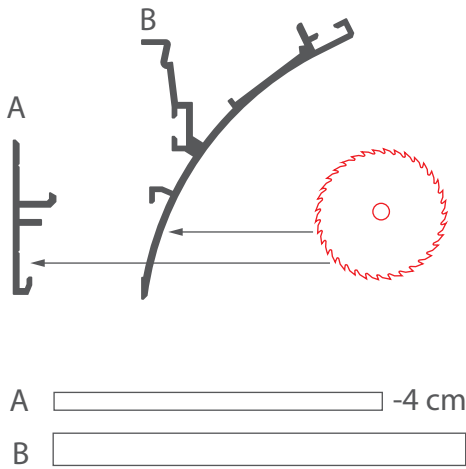
Tools needed for mounting:

- drill
- screwdriver
- hand saw
- Allen wrenches (dia. 3 mm, dia. 5 mm)

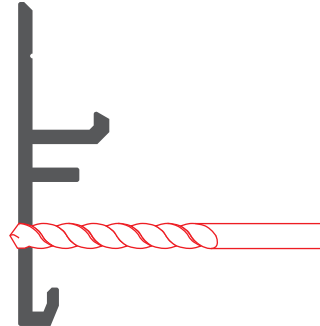
NOTE! All LED strips must be connected to a 12 V or 24 V power supply.

IMPORTANT: The manual presents the simplest mounting procedure.
More mounting procedures and related accessories can be found at www.klusdesign.eu

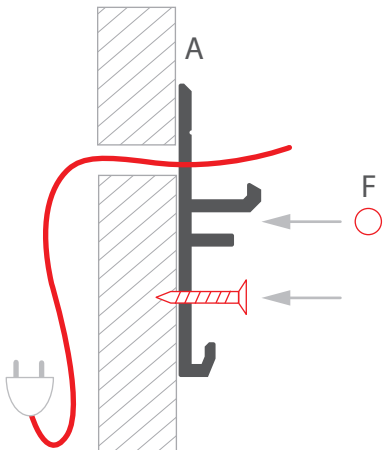
1. Cut the extrusion (B) to the required length and the mounting strip (A) 4 cm shorter. This will ensure mounting of the end caps and running the cable inside the fixture



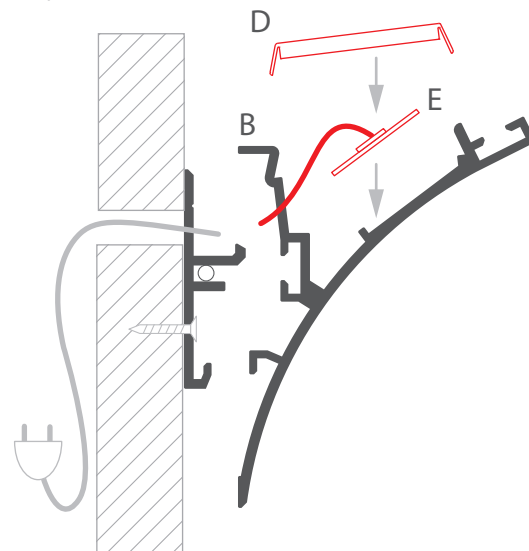
2. Drill screw holes in the mounting strip (at least two)



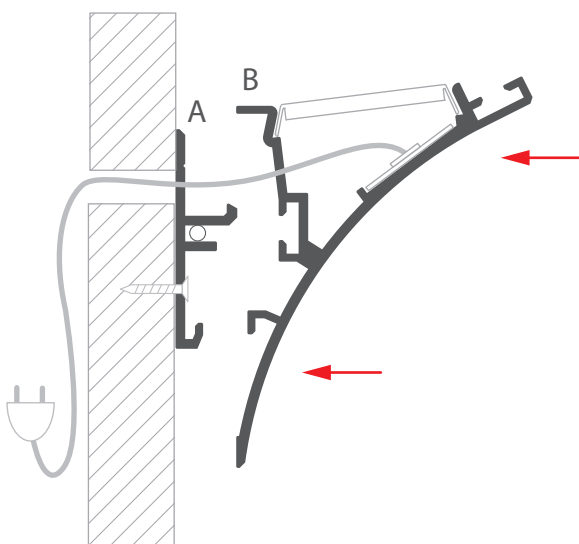
3. Attach the mounting strip (A) to the mounting surface with screws suitable for the surface material. Feed the cable through the mounting strip or next to it. Install the springs (F) in the mounting strip. The number of springs should be: 2 for 1-meter long profiles, 3 for 2-meters long profiles and 4 for 3-meters long profiles. First and last spring should be placed 10-15 cm from the end of the profile.



4. Install the LED strip (E), lead out the cable and insert the cover (D) in the extrusion (B). The cable can be led through a hole in the extrusion or in the end cap.



5. Connect power and insert the extrusion (B) into the mounting strip (A).



6. Insert the end caps (C).

