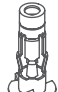
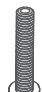






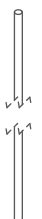






**Parts needed to assemble and mount the W1 fastener set**

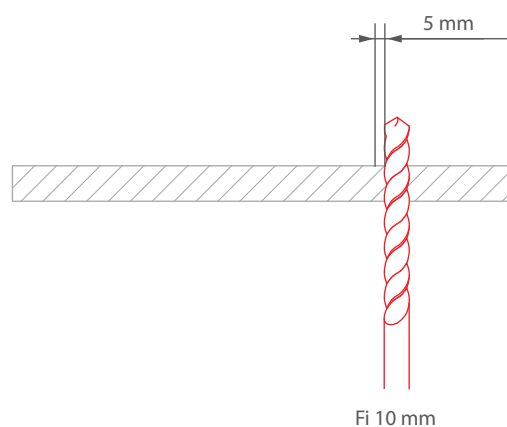
- Anchor (L) 
- Anchor screw (M) 
- Small washer (K) 
- Power connector (J) 
- Conical spring (I) 
- Hollow rod (H) 
- Fastener masking cover (G) 
- Top head (F) 
- Arm (E) 
- Conductive head (D) 
- Small power connector (C) 
- Plastic base (B) 
- Plastic bolt (A) 

**Tools needed for mounting:**

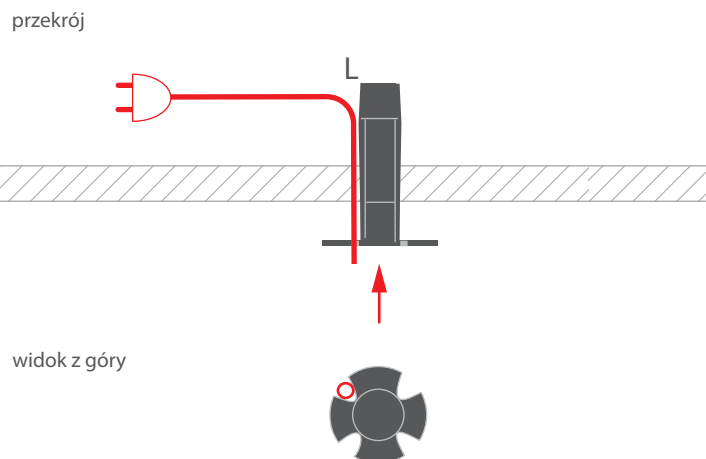
- drill
- pliers
- allen wrench

**NOTE!** A list of products corresponding with the selected accessories is available at [www.klusdesign.eu/uk](http://www.klusdesign.eu/uk).

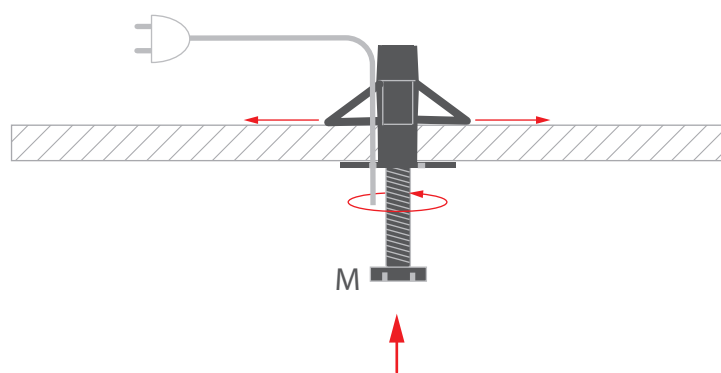
**1.** Drill a hole with a diameter of 10 mm in a plasterboard ceiling. The hole must be next to the outlet of the cable with a single pole (approx 5 mm from it).



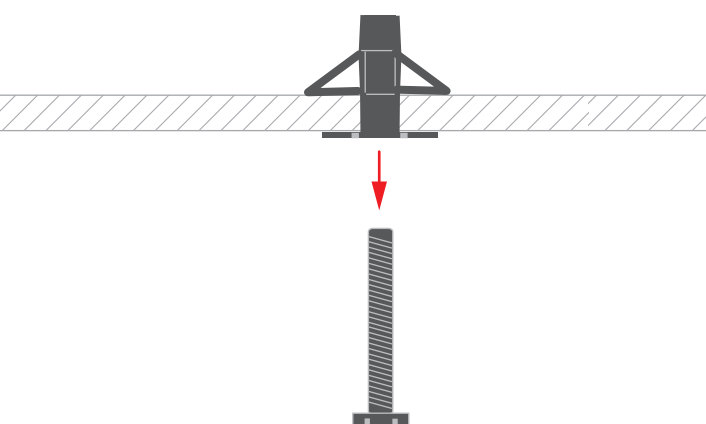
**2.** Insert the anchor (L) into the hole. The cable must be in one of the incisions in the anchor flange.



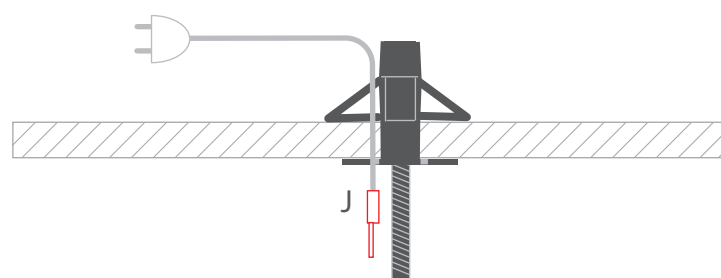
**3.** Tighten the bolt (M) fully in the anchor to expand it and block the anchor in the ceiling.



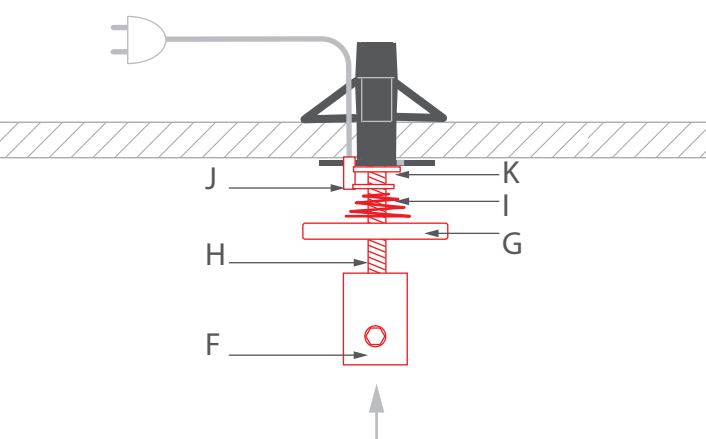
**4.** Remove the bolt from the anchor.



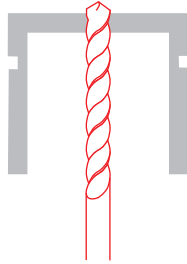
**5.** Attach the power connector (J) to the cable end.



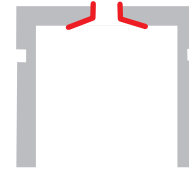
**6.** Bend the power connector (J) so that the rod (H) can be put through it and insert it into the anchor. On the rod put on the washer (K), power connector (I), conical spring (L), fastener masking cover (G), and top head (F). Fix the entire assembly to the ceiling.



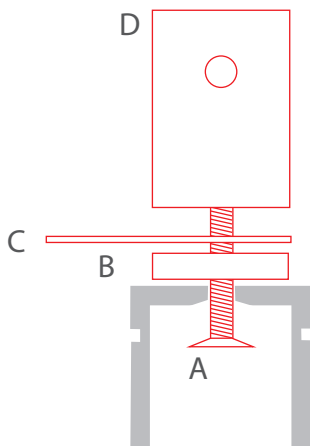
**7.** Drill a hole with a diameter of 5 mm in the selected extrusion.



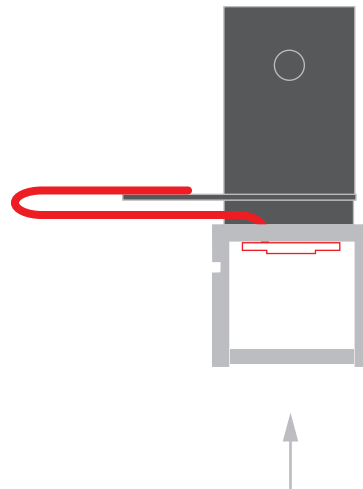
**8.** Bevel the hole so that the plastic screw head fits in.



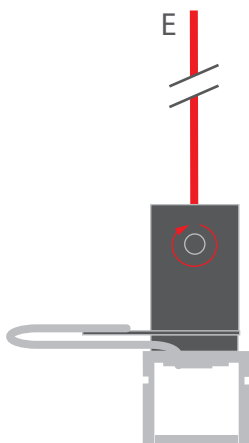
**9.** Mount the plastic bolt (A), on the top put the plastic base (B), small power connector (C) and conductive head (D).



**10.** Run the cable from the LED strip to the small power connector. The cable can be led out through a hole drilled in an end cap or the extrusion.



**11.** Insert the arm (E) into the mounting bracket of the head. Block the arm by tightening the pressure screw in the head with the Allen wrench.



**12.** Attach the light fixture with the arm (E) to the top head (F). Block the rod by tightening the pressure screw in the top head with the Allen wrench.

