

Parts needed to mount the TETRA-43 extrusion



Extrusion (A)



Mounting track (B)



Extrusion end cap (C)



Mounting track end cap (D)



Cover (F)



LED strip (G)



Clip (H)

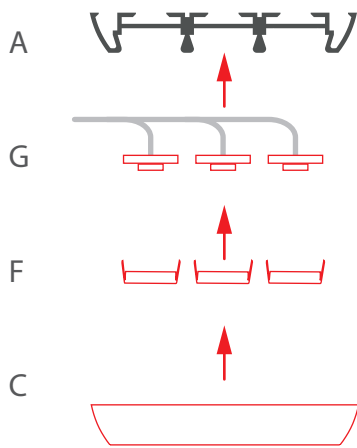
Tools needed for mounting:

- drill
- screwdriver
- hand saw
- Allen wrenches (dia. 3 mm, dia. 5 mm)

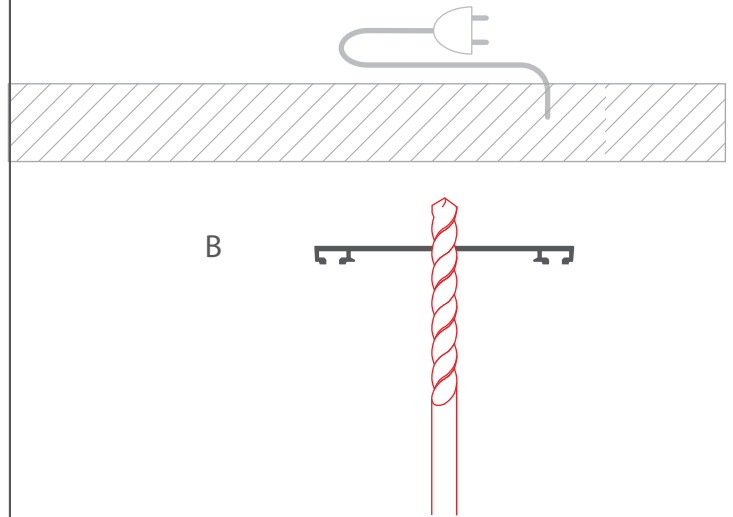
NOTE! All LED strips must be connected to a 12 V or 24 V power supply.

IMPORTANT: The manual presents the simplest mounting procedure. More mounting procedures and related accessories can be found at www.klusdesign.eu

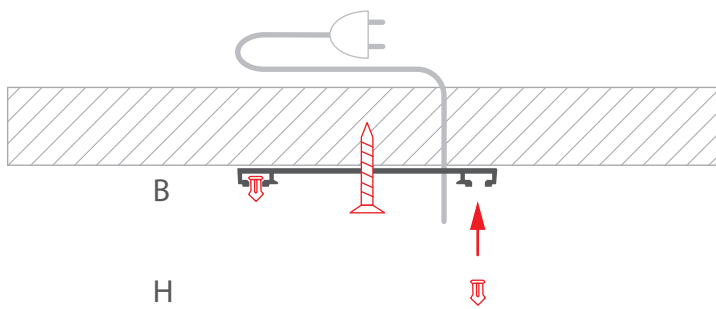
1. Mount the LED strips (G), insert covers (F), and then insert the end cap (C). Feed the power cable.



2. Drill mounting holes in the surface and mounting track (B).



3. Attach the mounting track with screws (B). Slide the clips (H) into the mounting track (B).



4. Connect power and snap the extrusion (A) into the mounting track (B).

