

Parts needed to mount the PUSZ-PRET-LEB fastener

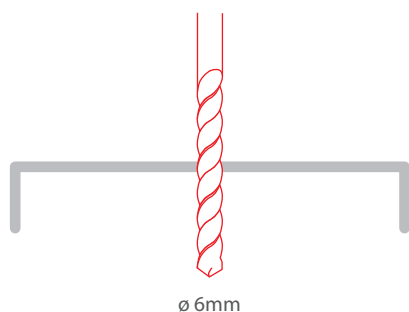
- Nut with washer (I)
- Top nut (H)
- Locking washer (G)
- Power connector (F)
- Bottom nut (E)
- Small washer (D)
- Sleeve (C)
- Threaded plug (B)
- Bolt (A)

Tools needed for mounting:

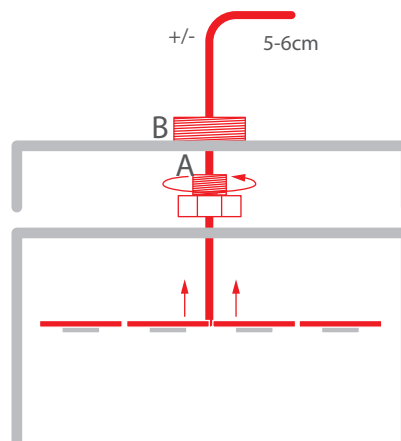
- Allen wrench
- drill
- pliers

NOTE! A list of products corresponding with the selected accessories is available at www.klusdesign.eu

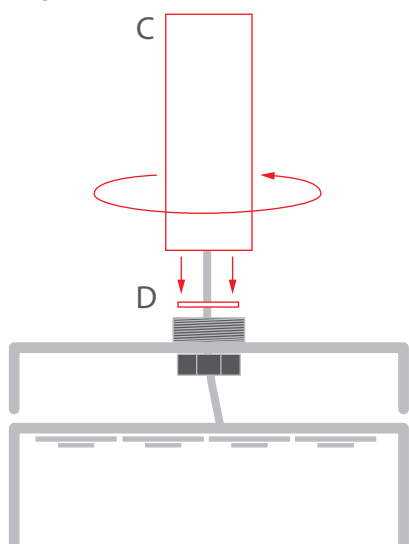
1. Drill holes with a diameter of 6mm in the back of the extrusion. One hole per fastener.



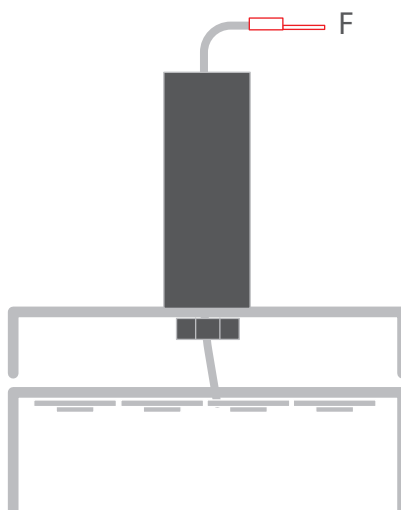
2. Insert the threaded plug (B) over the drilled hole and tighten the bolt (A) at the bottom. Run a cable with one pole through the hole in the screw and mount the LED strip in the extrusion



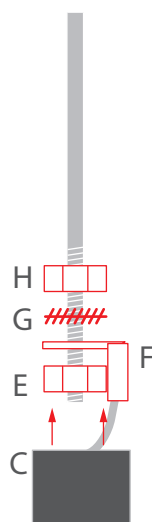
3. Run the cable through the small washer (D) and put the sleeve (C) on the entire assembly. Tighten the sleeve on the arm with thread to stop the fastener from moving.



4. Attach the power connector (F) to the cable end.



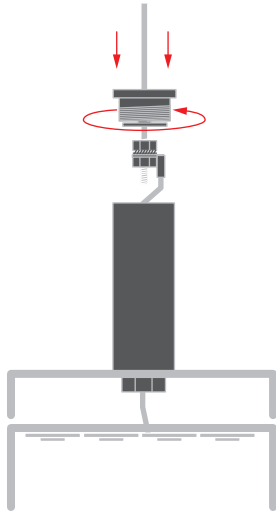
5. Bend the power connector (F) so that it fits into the sleeve (C). Put an arm with thread through the connector and secure it with nuts (E, H) and a locking washer (G).



6. Pull the nut (I) on from the top side of the arm.



7. Insert the entire assembly into the sleeve and tighten the nut.



8. Suspend the lighting fixture using a selected suspension system.S

