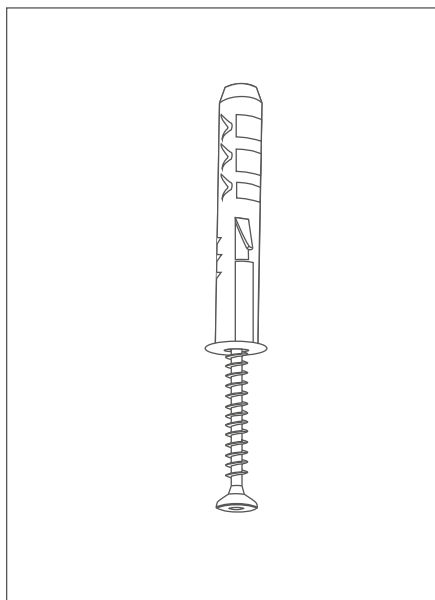
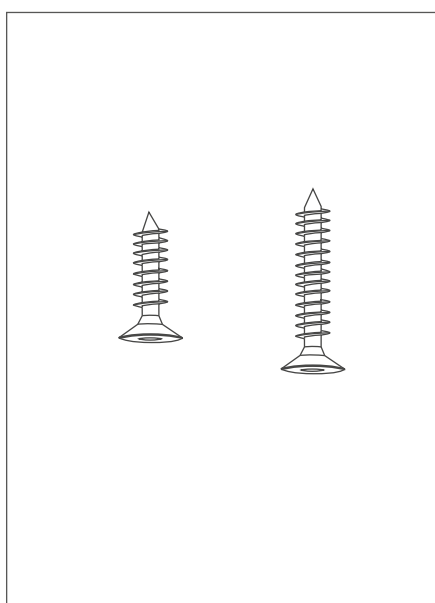


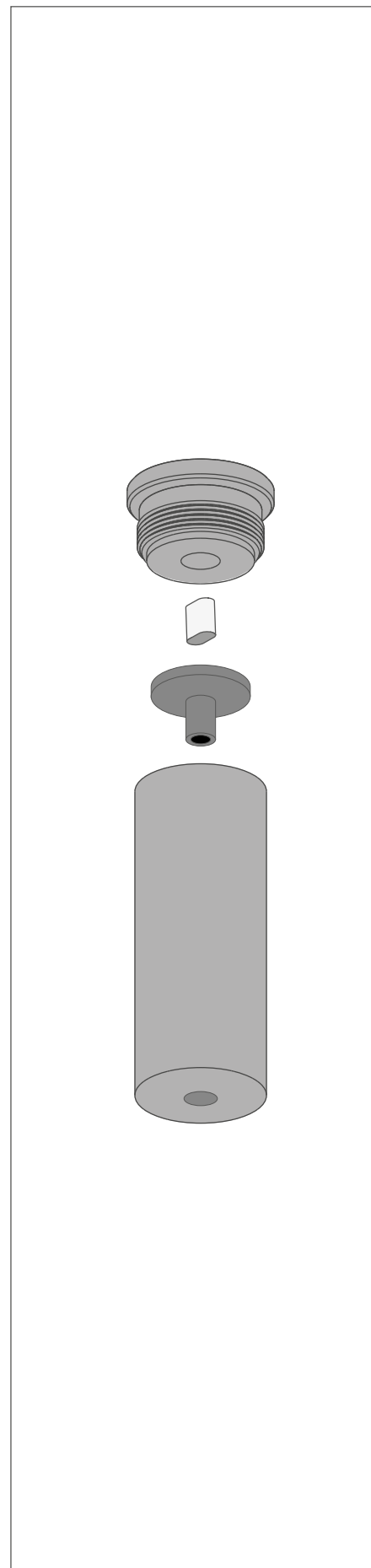
a) Mounting in drywall - p. 2

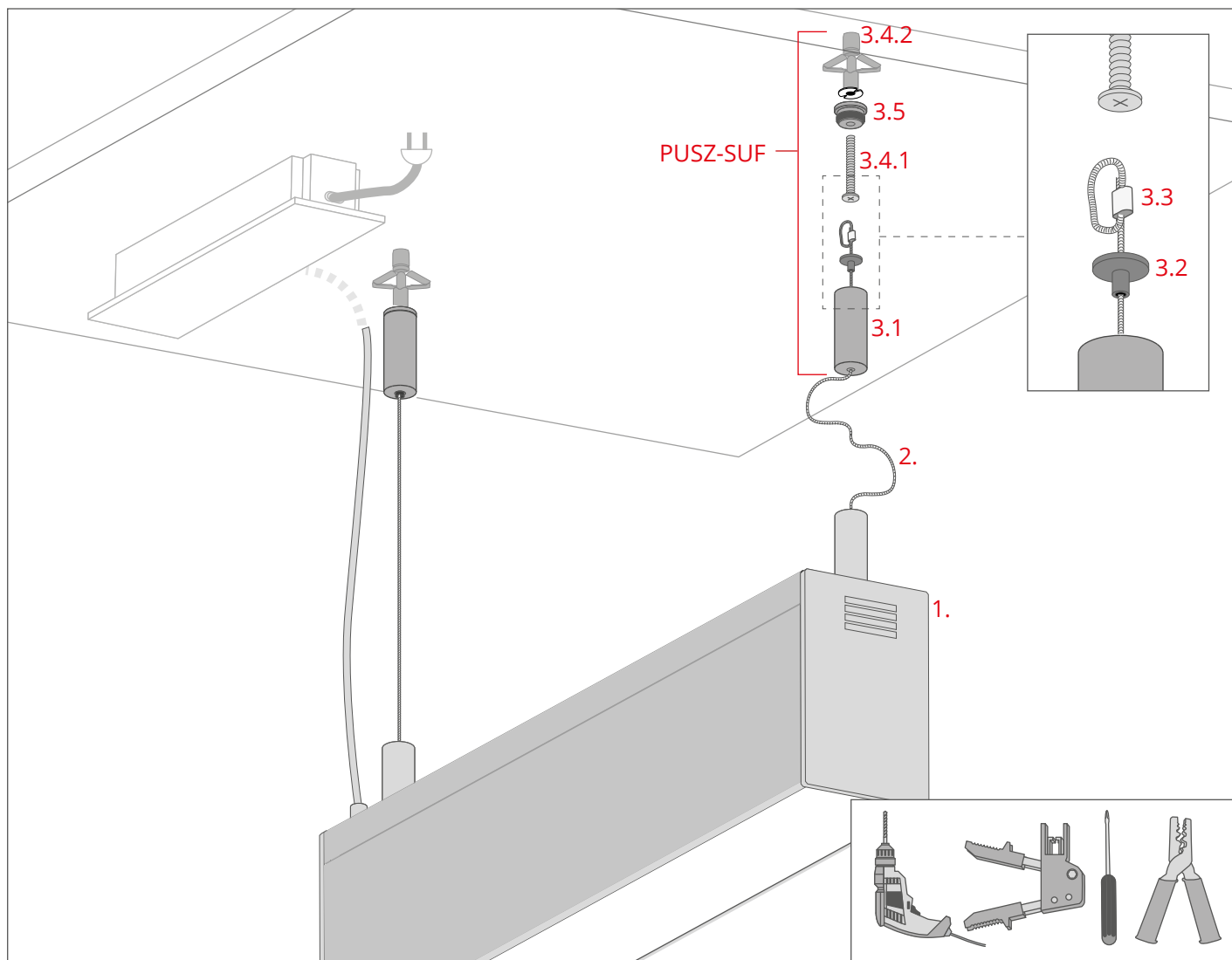


b) Mounting in concrete - p. 6



c) Mounting in wood - p. 9





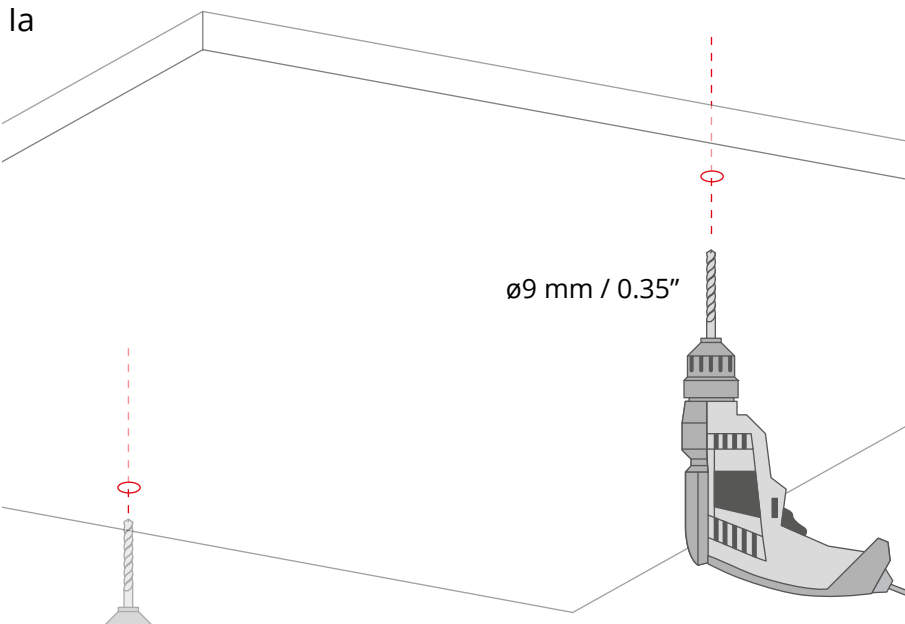
- 1. Lighting fixture
- 2. Steel cable*
- 3.1 Fastener body
- 3.2 Head
- 3.3 Wire crimp
- 3.4.1 Drywall anchor's bolt
- 3.4.2 Drywall anchor
- 3.5 Threaded plug

PUSZ-SUF silver (ref. 42283), black (ref. 42283L9005), white (ref. 42283L9010)

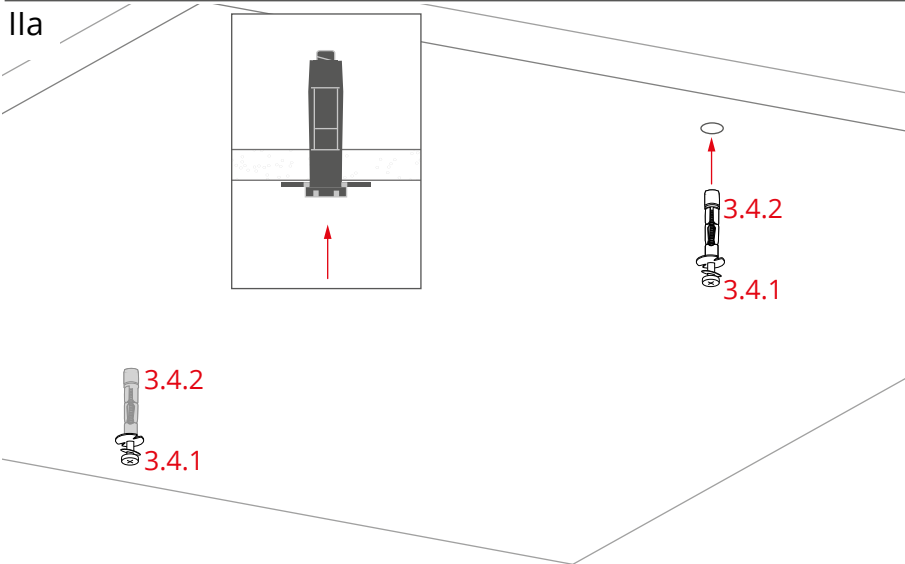
*The full range of accessories and electronics is available at www.KlusDesign.eu

NOTE! All LED tapes must be connected to a 12 V or 24 V power supply.

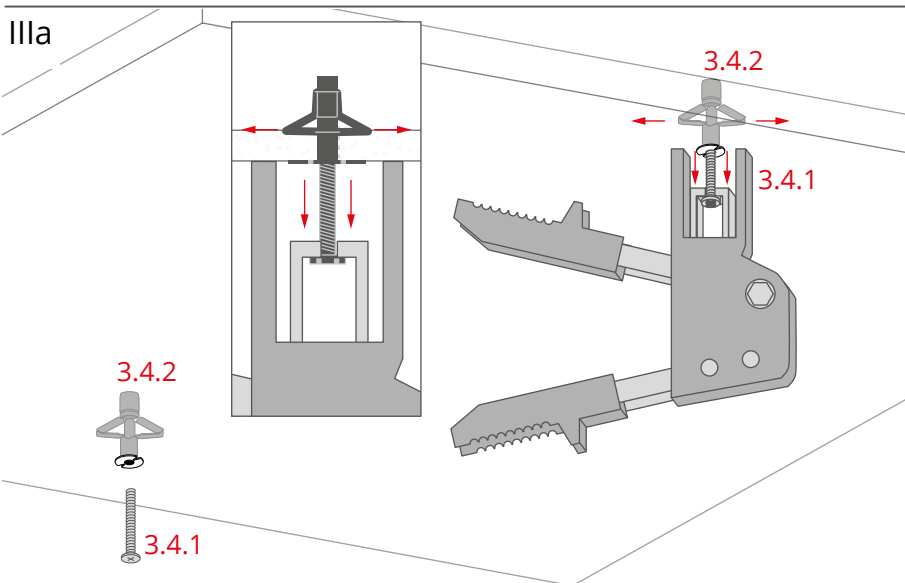
IMPORTANT: Not all possible mounting procedures are presented here. More mounting procedures and related accessories can be found at www.KlusDesign.eu. Drawings of extrusions and accessories in these instructions are simplified and only approximate the actual shapes.



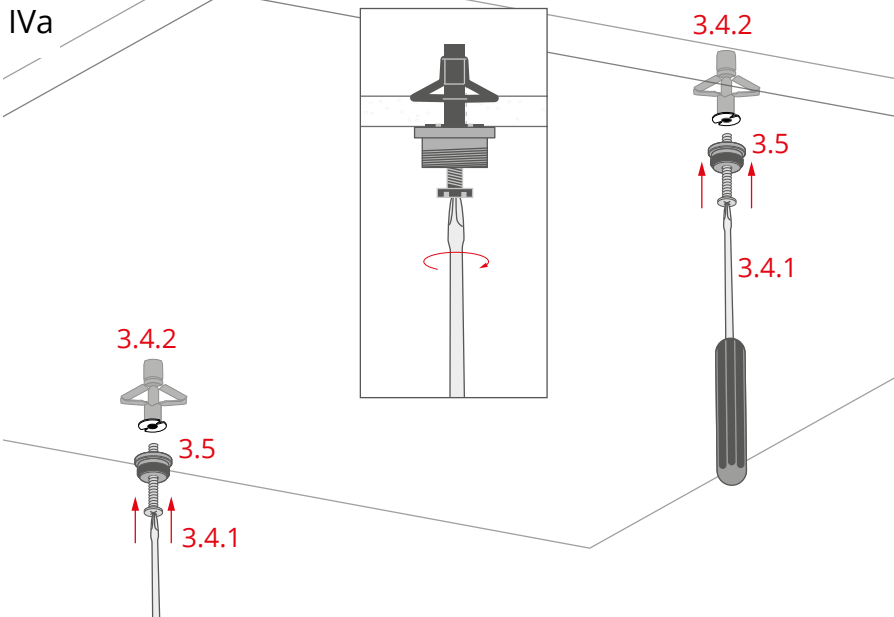
Drill holes with a diameter of 9 mm / 0.35" in the drywall panel. One hole per fastener.



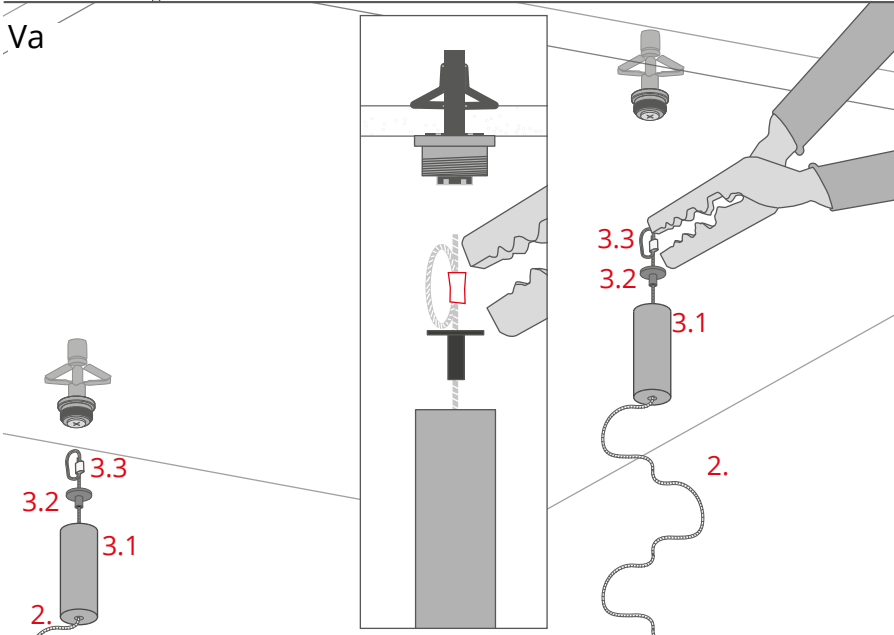
Insert the drywall anchors into the pre-drilled holes (anchors 3.4.2 with bolts 3.2.1).



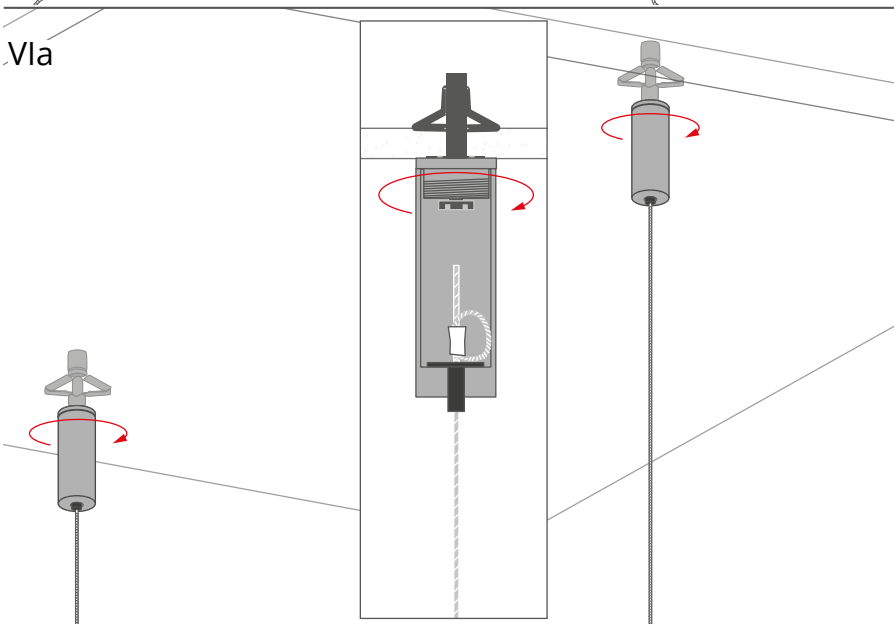
Pull the bolts (3.4.1) out of the drywall anchors (3.4.2). We recommend the use of a dedicated tool.



Screw the threaded plugs (3.5) to the drywall anchors (3.4.2) with the use of the anchor bolts (3.2.1).

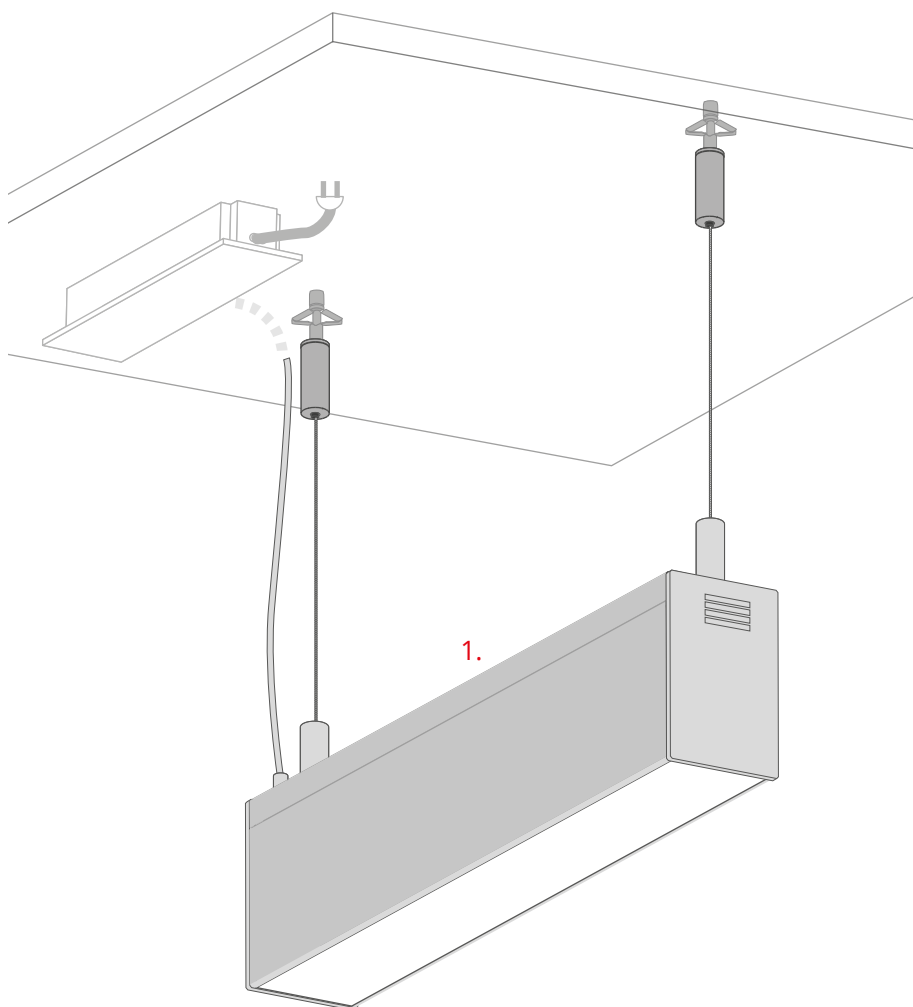


Run the steel cable (2) through the fastener body (3.1), the head (3.2), then run the cable twice through a wire crimp (3.3). Squeeze the wire crimp with e.g. pliers to prevent the steel cable from moving.

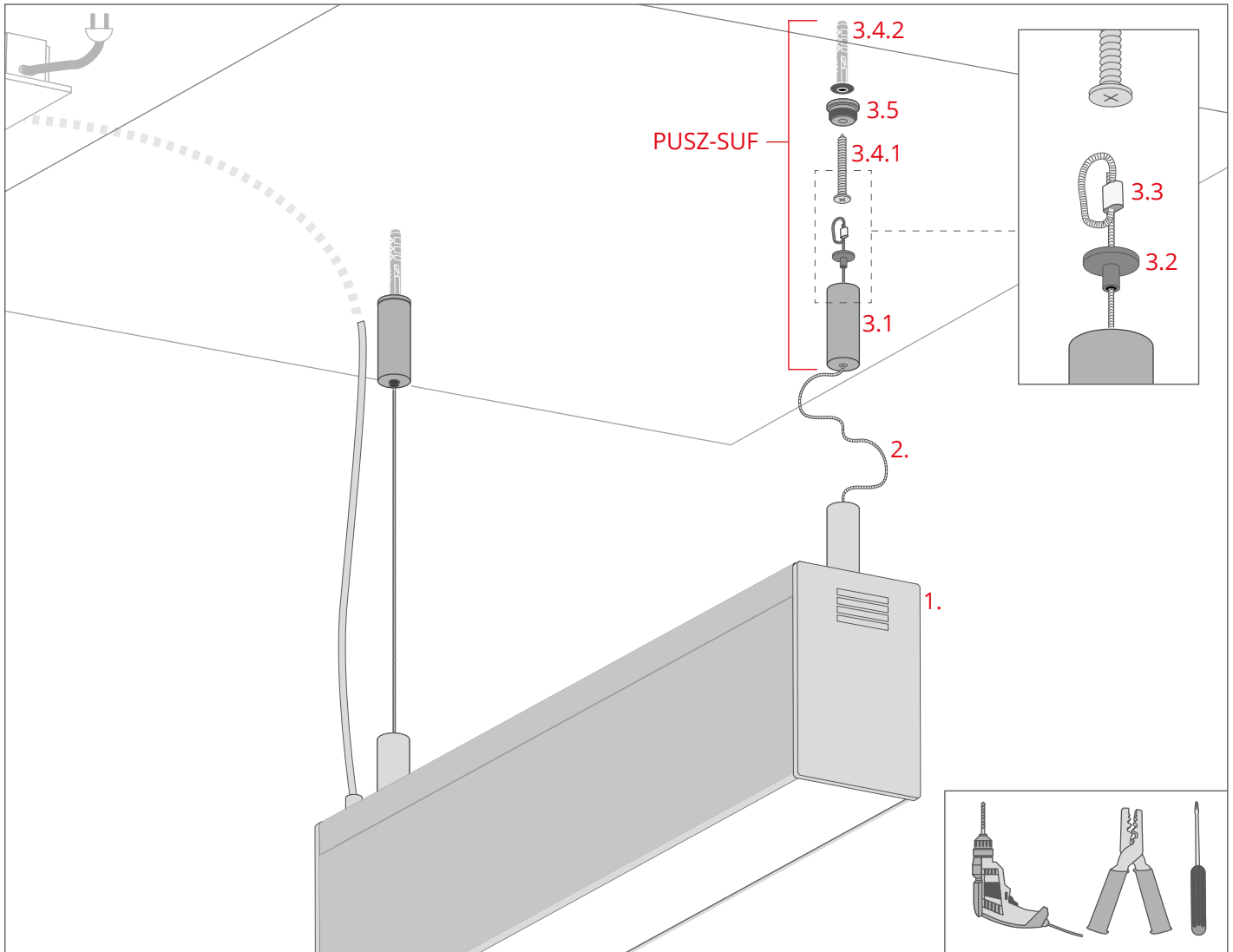


Insert the entire assembly into the fastener body and screw it on the threaded plug.

VIIa



Suspend the lighting fixture (1).

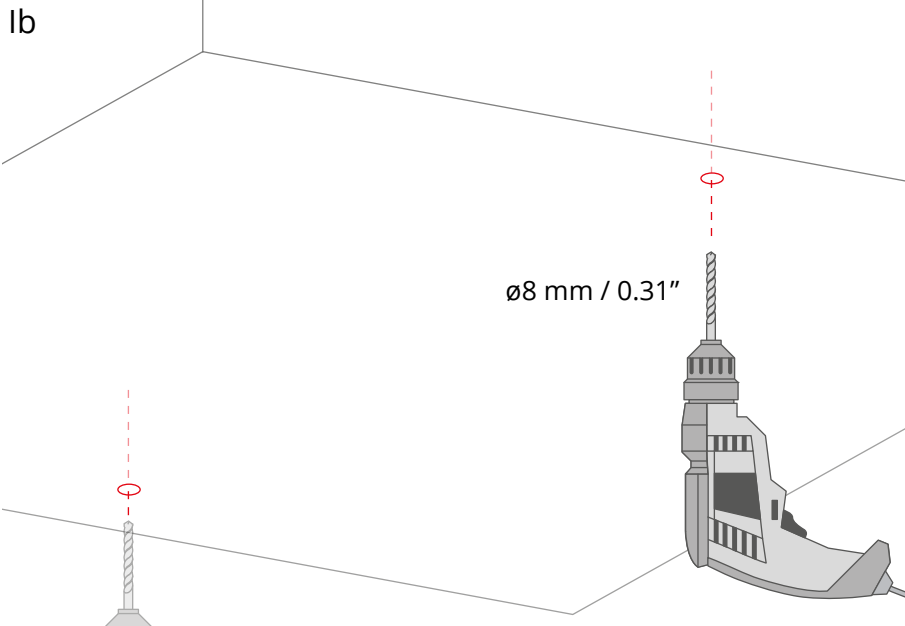


- 1. Lighting fixture
 - 2. Steel cable*
 - 3.1 Fastener body
 - 3.2 Head
 - 3.3 Wire crimp
 - 3.4.1 Screw
 - 3.4.2 Wall anchor
 - 3.5 Threaded plug
- } PUSZ-SUF silver (ref. 42283), black (ref. 42283L9005)

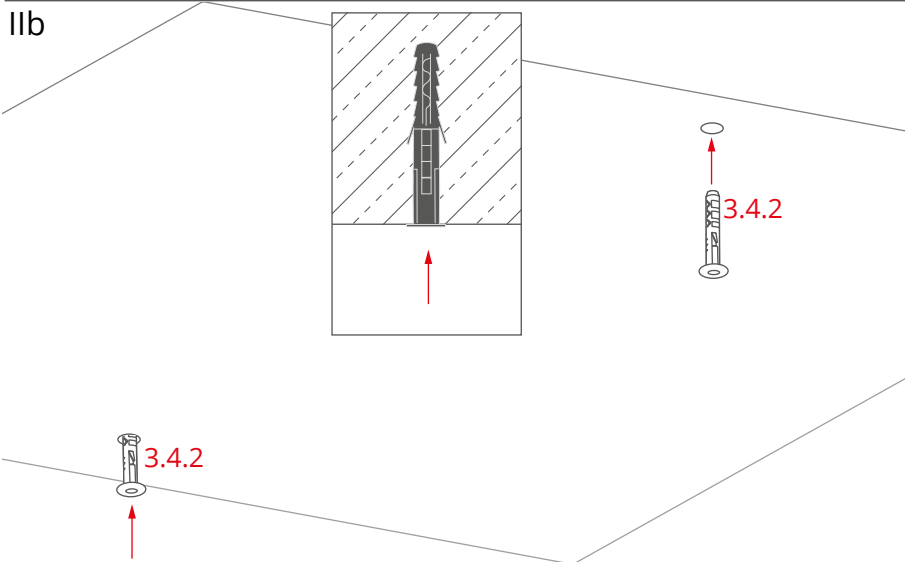
*The full range of accessories and electronics is available at www.KlusDesign.eu

NOTE! All LED tapes must be connected to a 12 V or 24 V power supply.

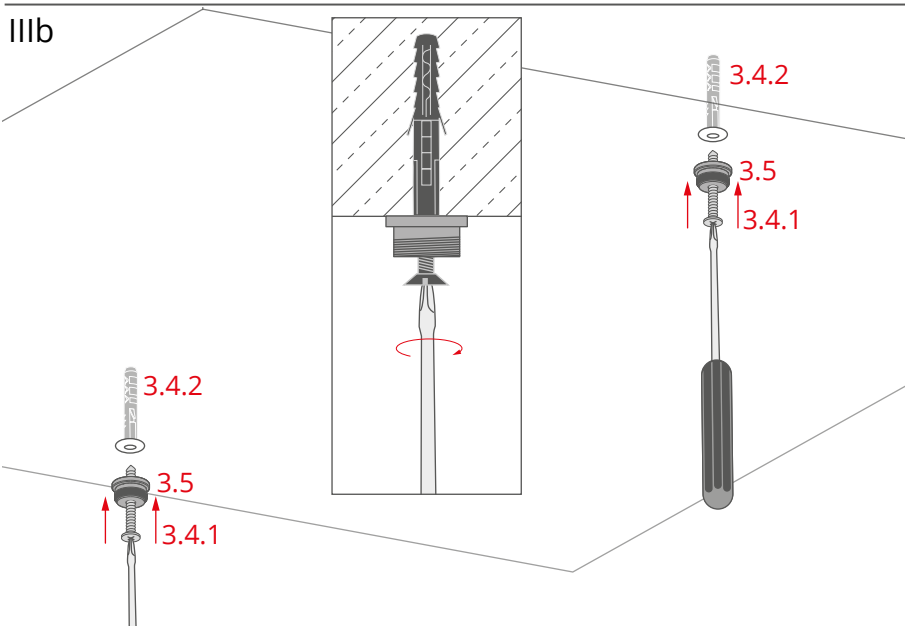
IMPORTANT: Not all possible mounting procedures are presented here. More mounting procedures and related accessories can be found at www.KlusDesign.eu. Drawings of extrusions and accessories in these instructions are simplified and only approximate the actual shapes.



Drill holes with a diameter of 8 mm / 0.31" in the ceiling. One hole per fastener.

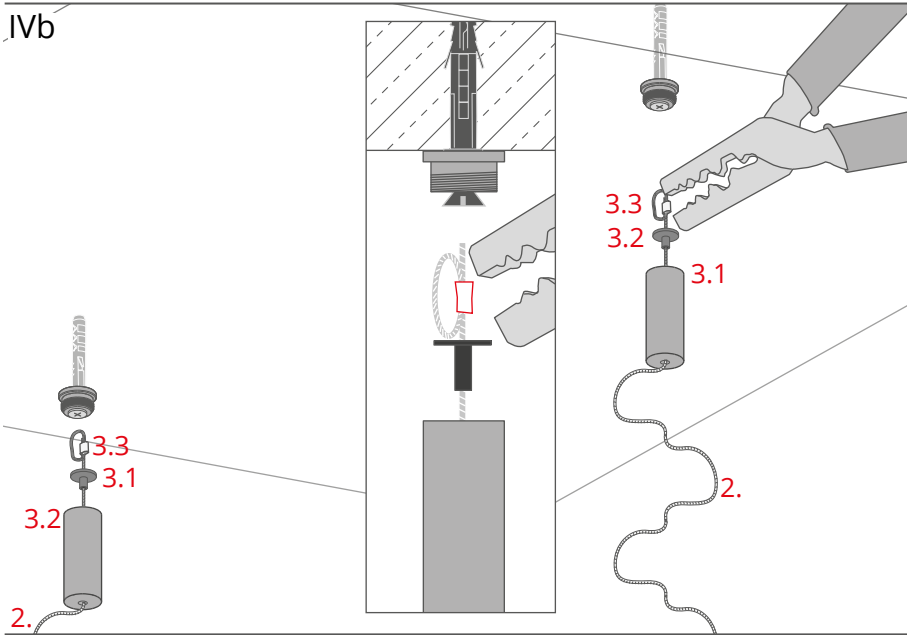


Insert the wall anchors (3.4.2) into the pre-drilled holes.



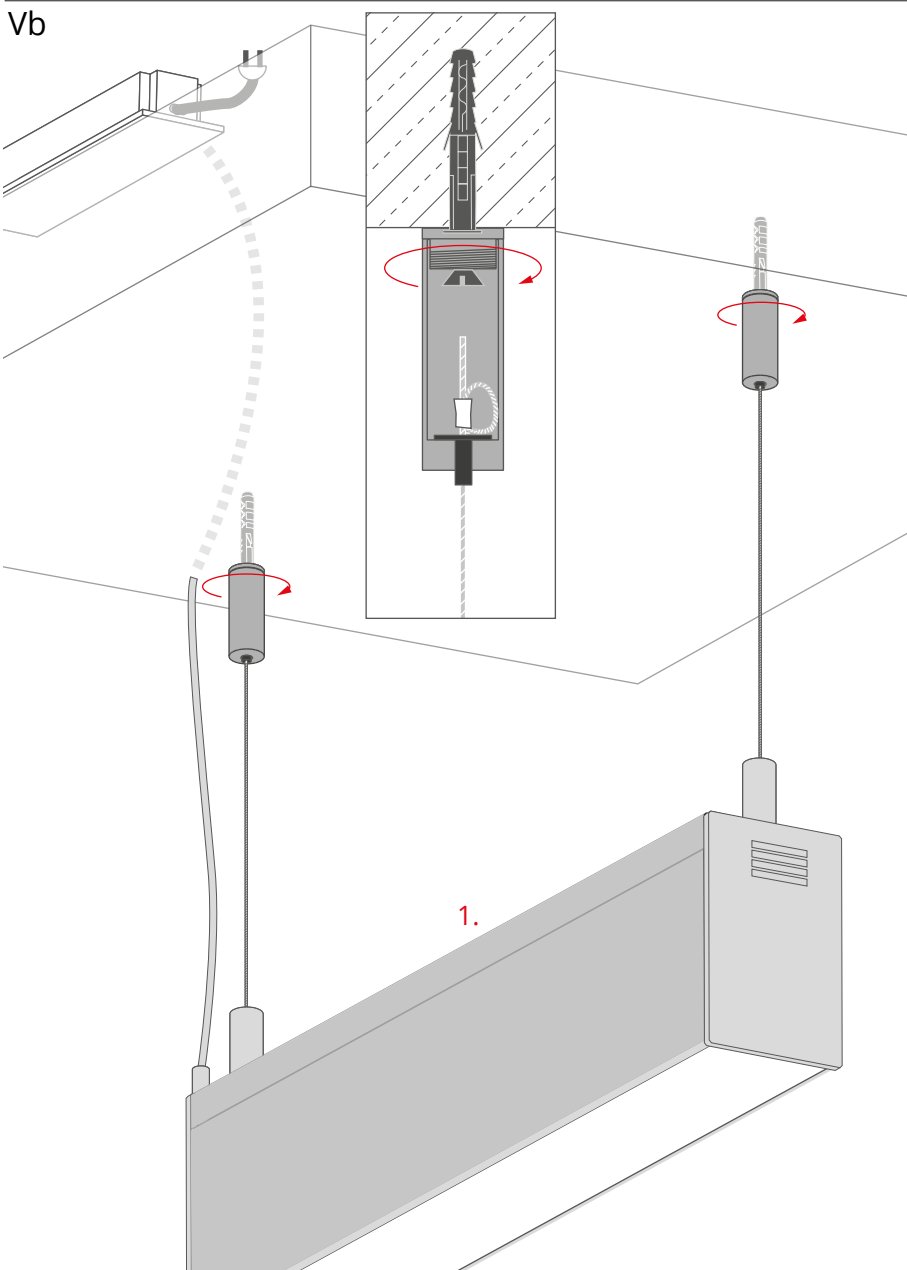
Screw the threaded plugs (3.5) to the wall anchors (3.4.2) with the use of the anchor screws (3.2.1).

IVb

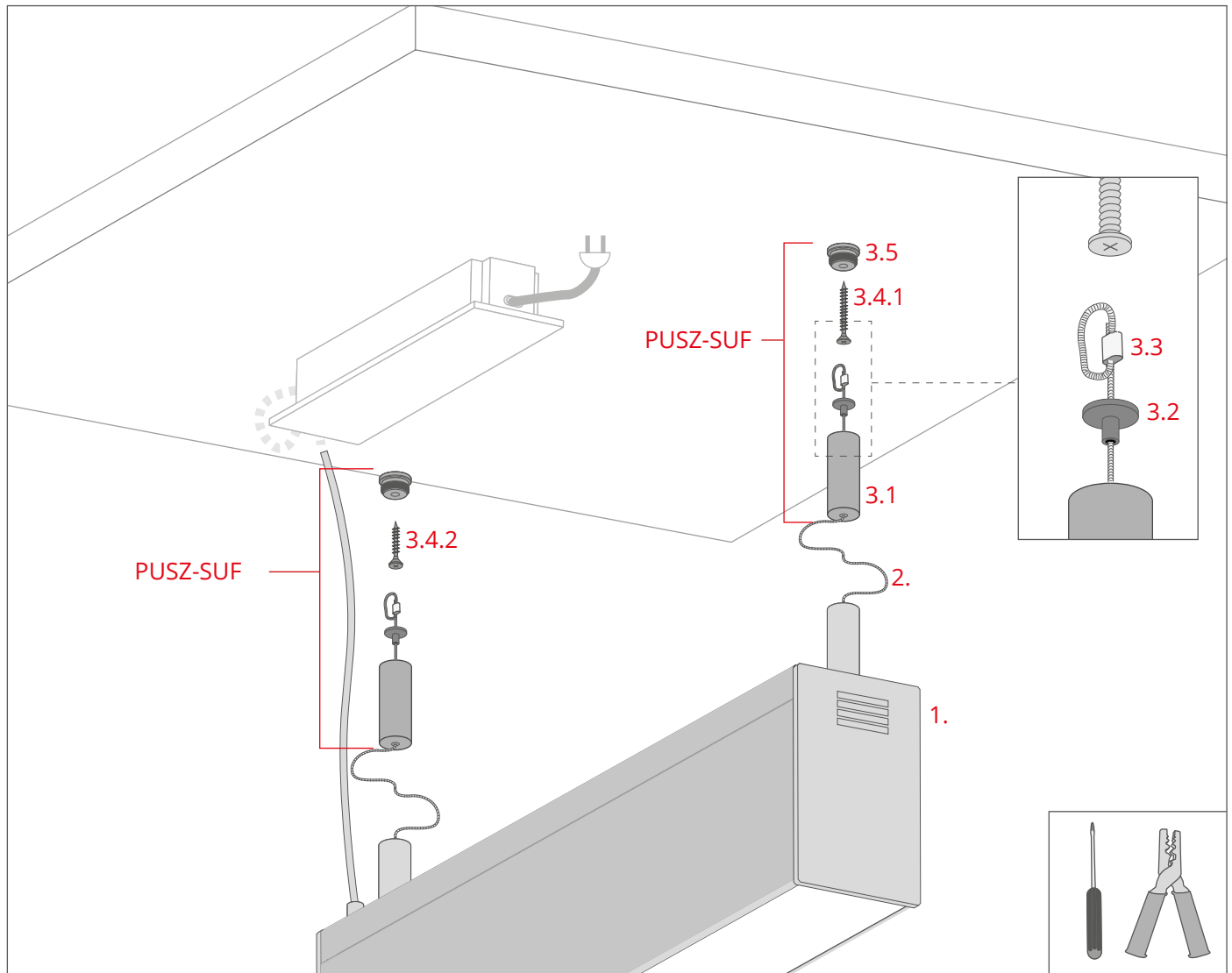


Run the steel cable (2) through the fastener body (3.1), the head (3.2), then run the cable twice through a wire crimp (3.3). Squeeze the wire crimp with e.g. pliers to prevent the steel cable from moving.

Vb



Insert the entire assembly into the fastener body and screw it on the threaded plug. Suspend the lighting fixture (1).



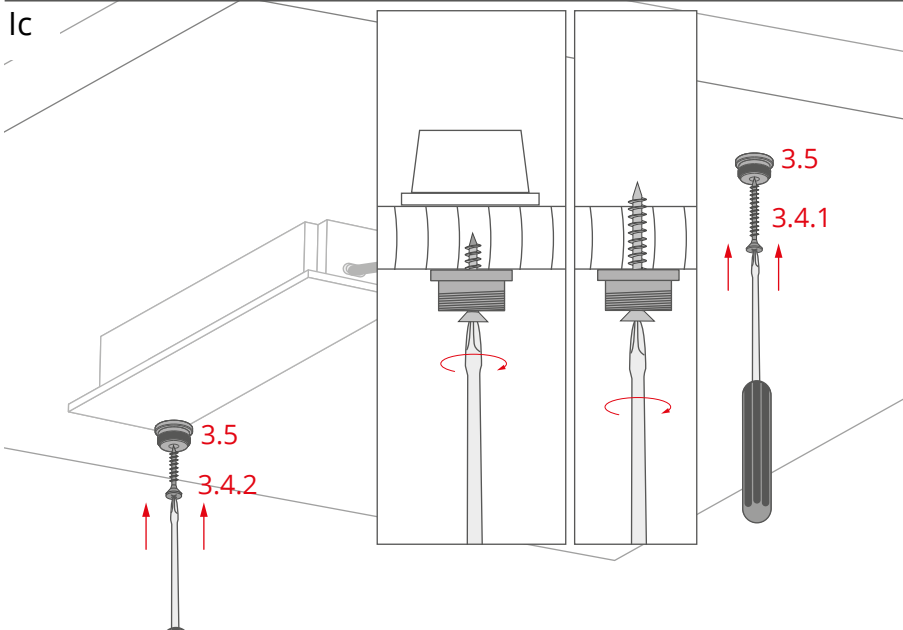
- 1. Lighting fixture
- 2. Steel cable*
- 3.1 Fastener body
- 3.2 Head
- 3.3 Wire crimp
- 3.4.1 4X25 Screw
- 3.4.2 4X20 Screw
- 3.5 Threaded plug

PUSZ-SUF silver (ref. 42283), black (ref. 42283L9005)

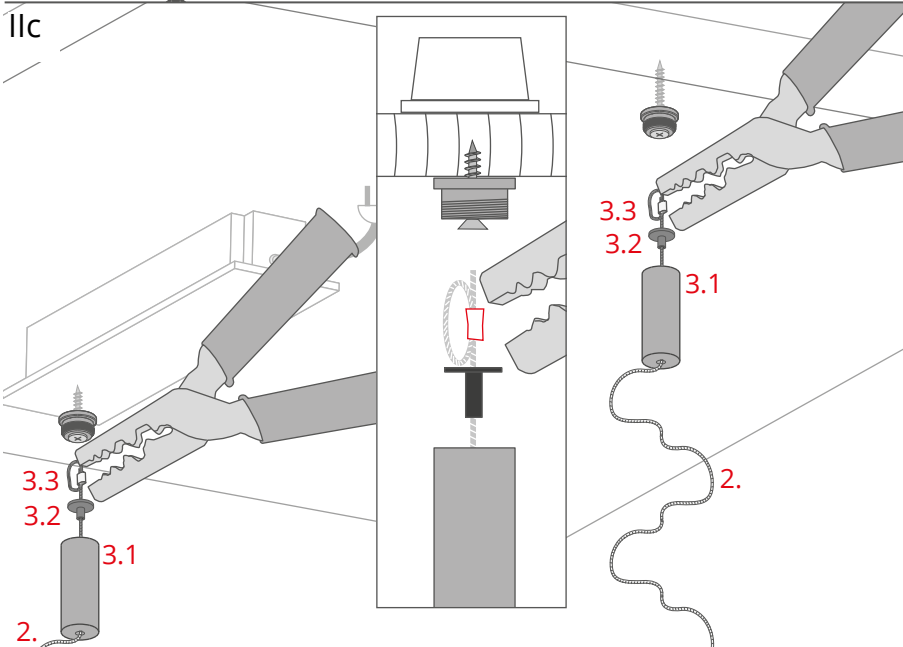
*The full range of accessories and electronics is available at www.KlusDesign.eu

NOTE! All LED tapes must be connected to a 12 V or 24 V power supply.

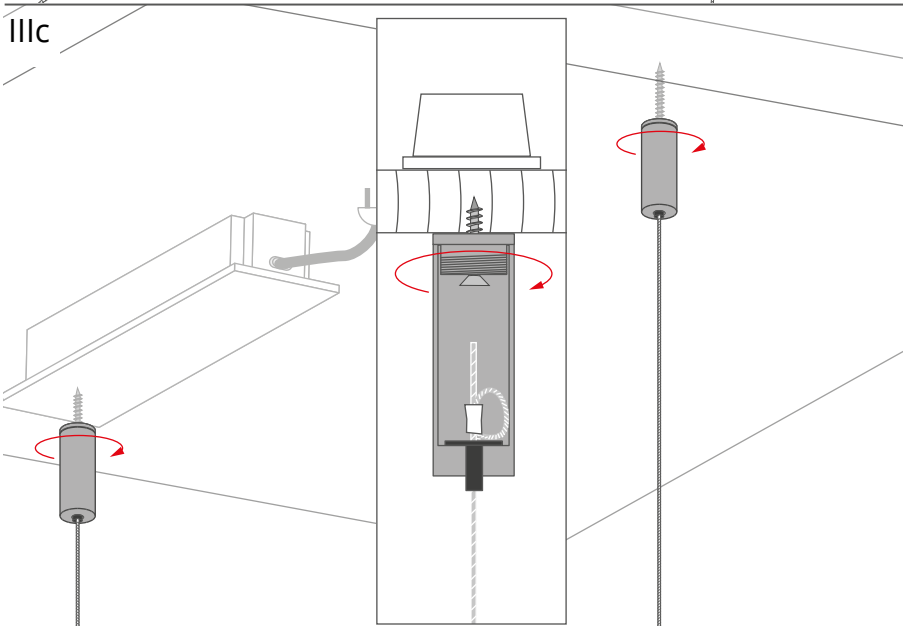
IMPORTANT: Not all possible mounting procedures are presented here. More mounting procedures and related accessories can be found at www.KlusDesign.eu. Drawings of extrusions and accessories in these instructions are simplified and only approximate the actual shapes.



Screw the threaded plugs (3.5) to the wooden ceiling (there is no need to drill any holes prior to that). To avoid piercing through the ceiling (for example to avoid damaging electrical installation) use the shorter 4X20 screws (3.4.2). In other cases, use the 4X25 screws (3.4.1).

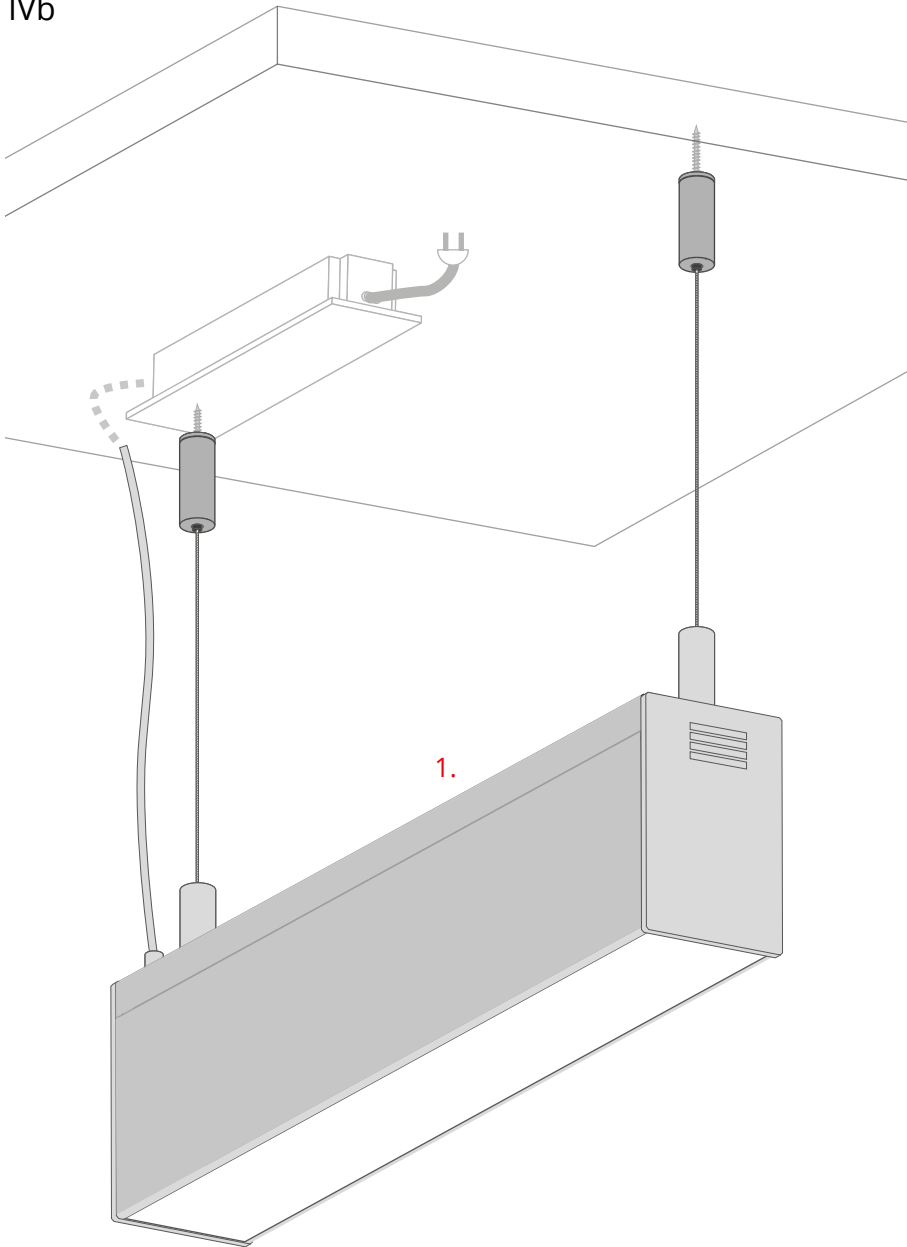


Run the steel cable (2) through the fastener body (3.1), the head (3.2), then run the cable twice through a wire crimp (3.3). Squeeze the wire crimp with e.g. pliers to prevent the steel cable from moving.



Insert the entire assembly into the fastener body and screw it on the threaded plug.

IVb



Suspend the lighting fixture (1).