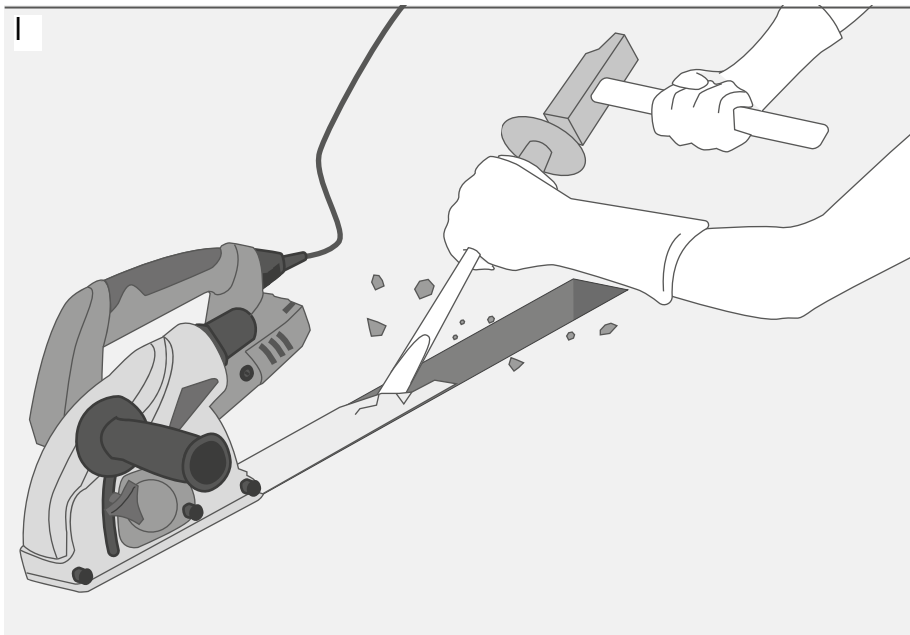


- 1. HR-LINE Lighting fixture
- 2. Pad*
- 3. Cable to power supply 12 V / 24 V*
- 4.1 Hermetic coupler (item 4.1)*
- 4.2 Hermetic coupler (item 4.1)*
- 4.3 Hermetic coupler (item 4.1)*
- 5.1 Connector (item 5.1)*
- 5.2 Connector (item 5.2)*

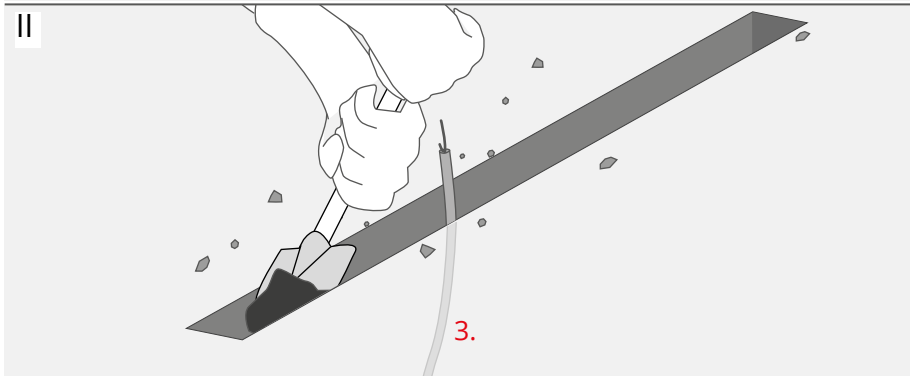
*The full range of accessories and electronics is available at www.KlusDesign.eu

NOTE! The fixture comes with the Z type fastening. The flexible power cable in this fixture cannot be replaced if damaged. The fixture is to be disposed of if the cable is damaged. The light source in this lighting fixture is not replaceable and the whole fixture will need to be replaced once the light output is diminished.

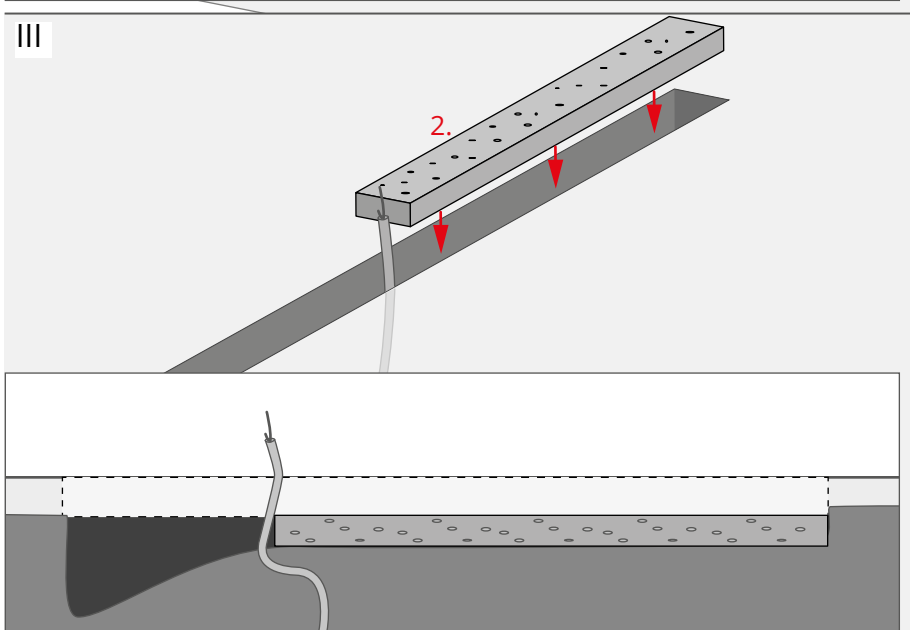
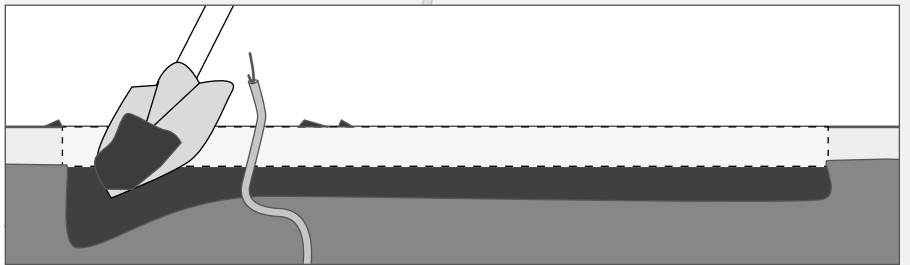
IMPORTANT: Not all possible mounting procedures are presented here. More mounting procedures and related accessories can be found at www.KlusDesign.eu. Drawings of profiles and accessories in these instructions are simplified and only approximate the actual shapes.



Cut the groove in the concrete surface for the HR-LINE fixture.

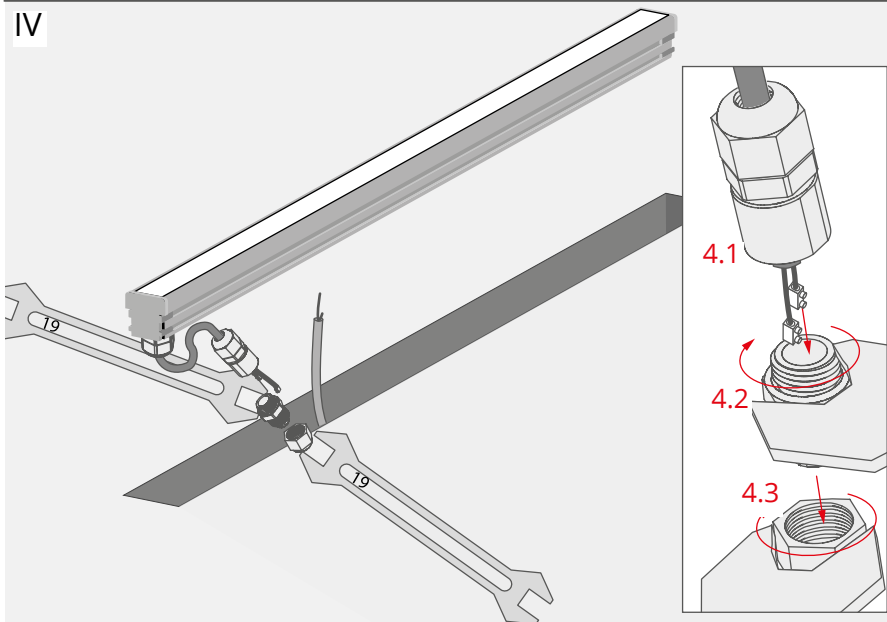


Make space in the bottom of the groove for accessories necessary to mount the fixture. Lead the cable from the power supply 12 V / 24 V (3) to it.



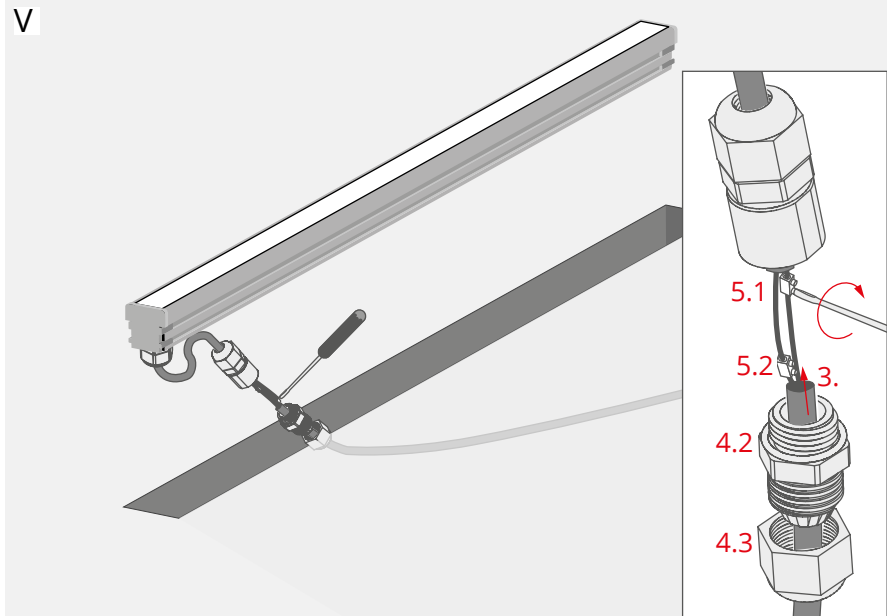
Place the pad (2) in the groove.

IV



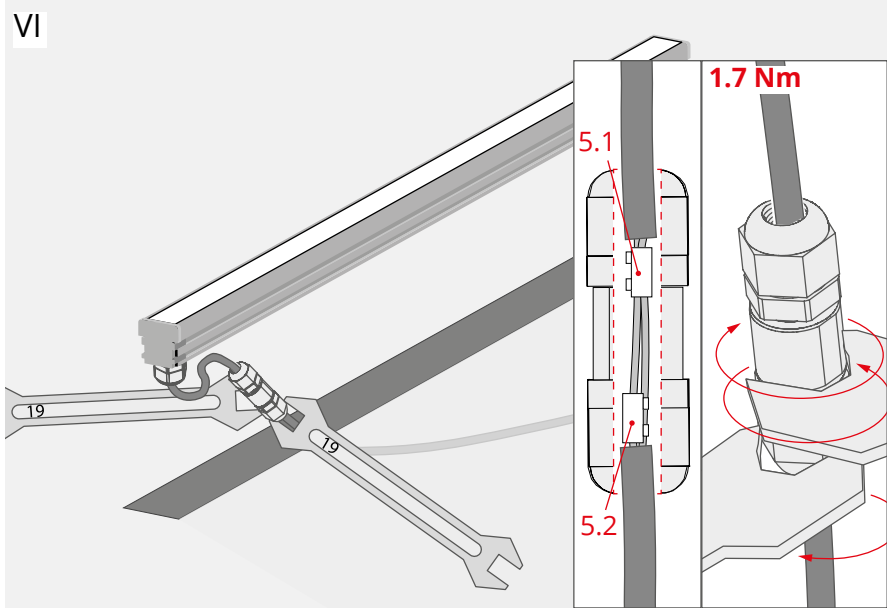
Detach items (4.2, 4.3) of the hermetic coupler from item (4.1).

V



Lead the cable (3) through items (4.2, 4.3) of the hermetic coupler and attach it to the cable from the fixture, using both items (5.1, 5.2) of the connector.

VI

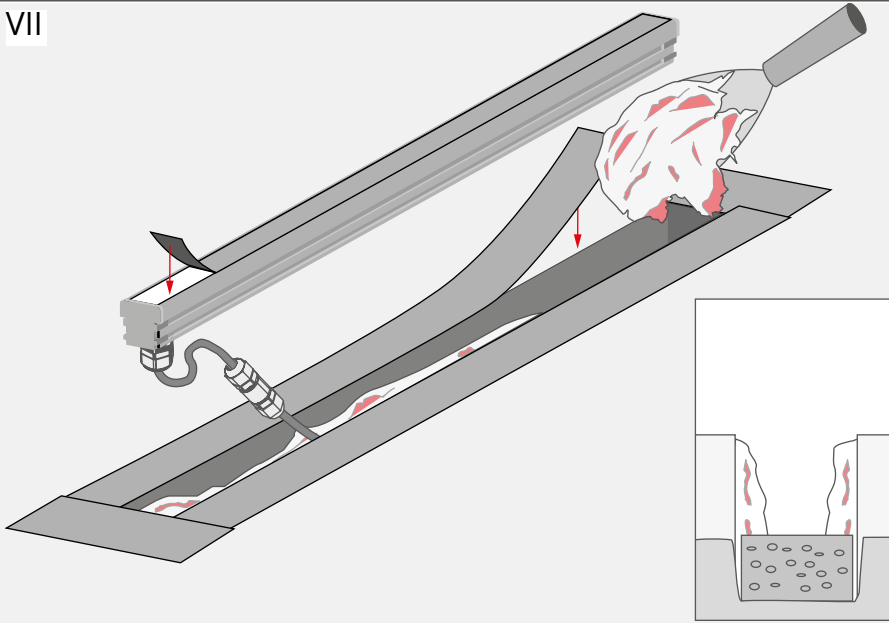


Screw together all the items of the coupler.

NOTE! When inserting cables into the coupler, make sure that both items (5.1, 5.2) of the coupler are not touching each other.

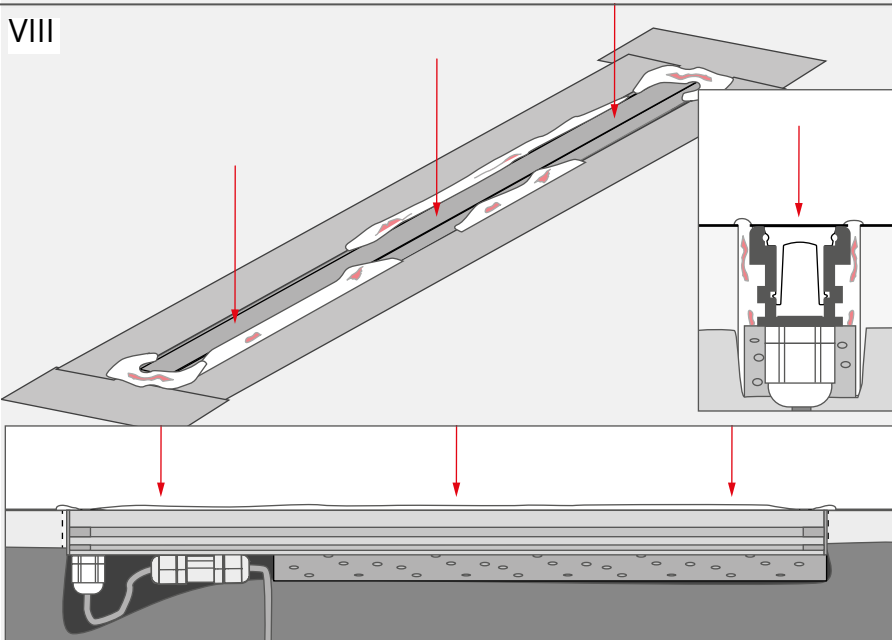
NOTE! The items must be tightened with torsional power equal to 1.7 Nm.

VII



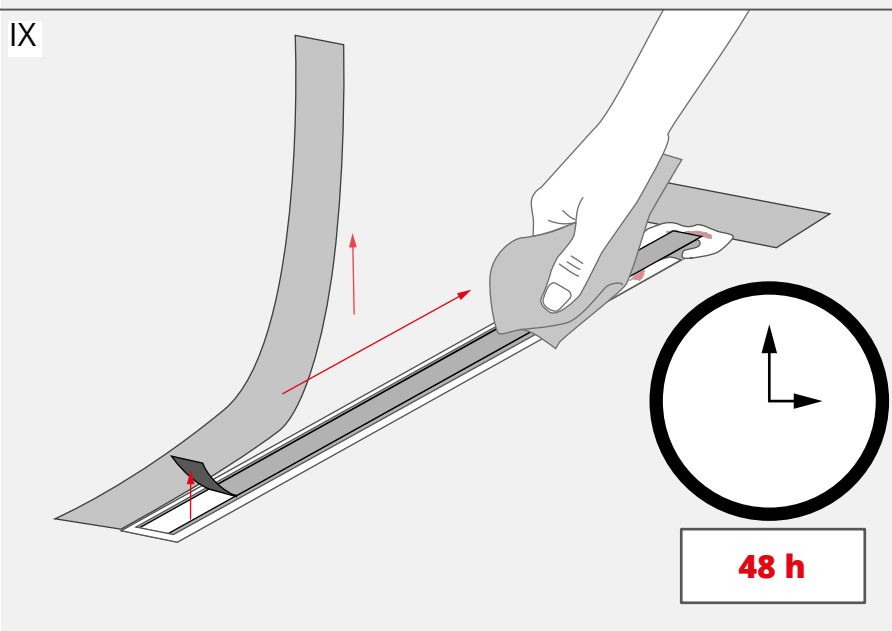
Secure the edges of the groove and the surface of the fixture with protective tape. Distribute grout to the walls of the groove.

VIII



Place the fixture in the groove. The excess grout should come to the surface from the sides of the fixture and at its ends.

IX



Clean the surface of the fixture from the excess grout and remove protective tape.

Wait 48 h until the grout dries.