

**Parts needed to assemble and mount the W8 fastener set**

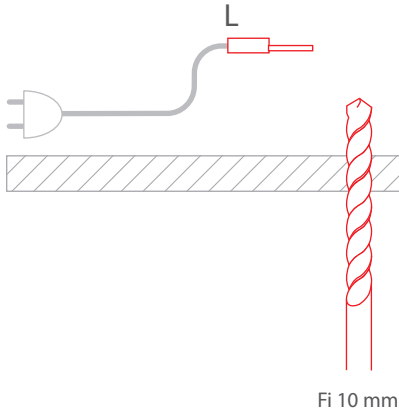
- |                     |  |
|---------------------|--|
| Top nut (N)         |  |
| Locking washer (M)  |  |
| Power connector (L) |  |
| Bottom nut (K)      |  |
| Metal washer (J)    |  |
| Top washer (I)      |  |
| Bottom washer (H)   |  |
| Hollow rod (G)      |  |
| Top head (F)        |  |
| Arm (E)             |  |
| Bottom head (D)     |  |
| Arched base (C)     |  |
| Plastic bolt (B)    |  |
| Head cable (A)      |  |

**Tools needed for mounting:**

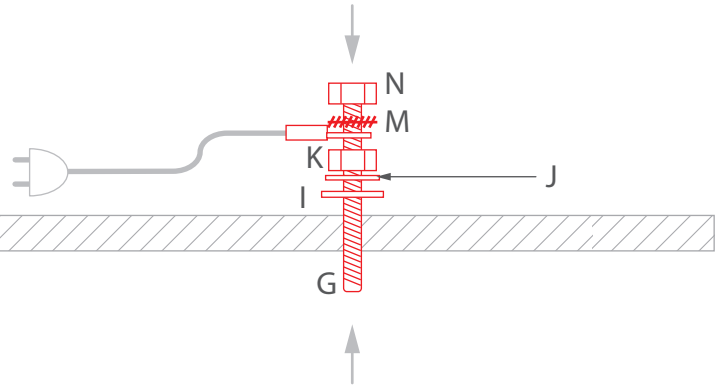
- allen wrench
- drill
- pliers

**NOTE!** A list of products corresponding with the selected accessories is available at [www.klusdesign.eu/uk](http://www.klusdesign.eu/uk).

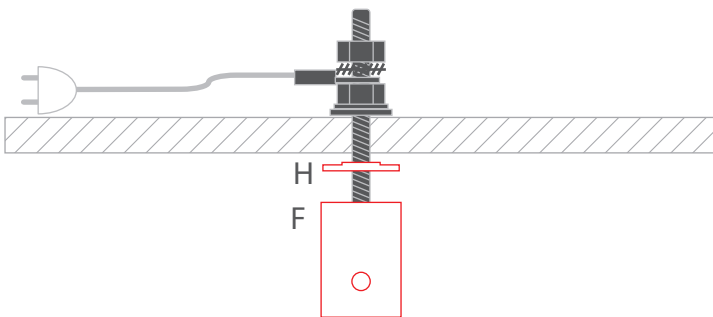
**1.** Drill a hole with a diameter of 10 mm in the mounting surface. The hole must be next to the cable with a single pole. Connect the end of the cable to the power connector (L).



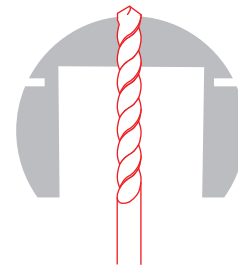
**2.** Insert the hollow rod (G) into the drilled hole. From the inside, put on in sequence: top washer (I), metal washer (J), bottom nut (K), power connector, locking washer (M), and top nut (N).



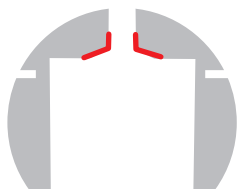
**3.** Put the bottom washer (H) and the top head (F) on the bottom part of the rod.



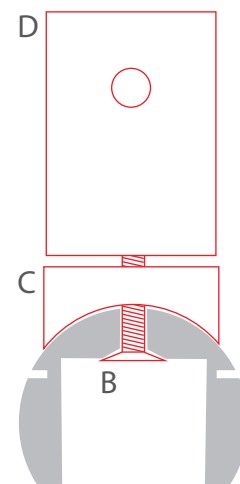
**4.** Drill a hole with a diameter of 5 mm in the selected extrusion.



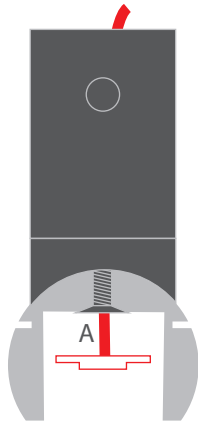
**5.** Bevel the hole so that the plastic screw head fits in.



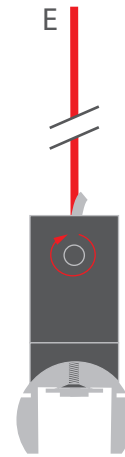
**6.** Mount the plastic bolt (B), on the top put the plastic base (C) and conductive head (D).



**7.** Run the cable (A) through the hole in the plastic bolt and connect power to the LED strip.



**8.** Insert the arm (E) into the mounting bracket of the head. It must press the power cable. Block the rod by tightening the pressure screw in the head with



**9.** Attach the light fixture with the arm (E) to the top head (F). Block the arm by tightening the pressure screw in the top head with the Allen wrench.

