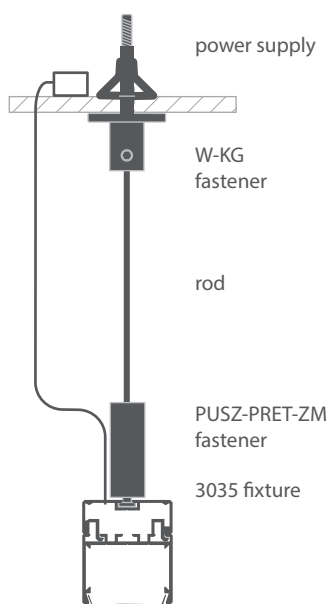
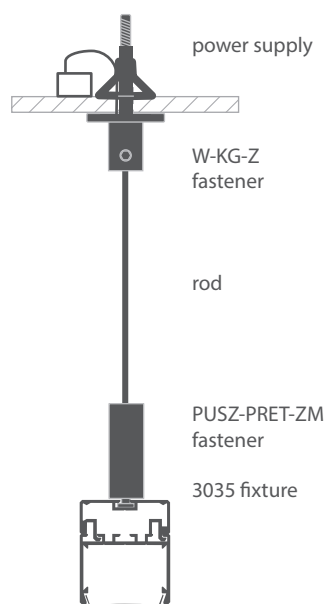


Instruction includes methods of montage:

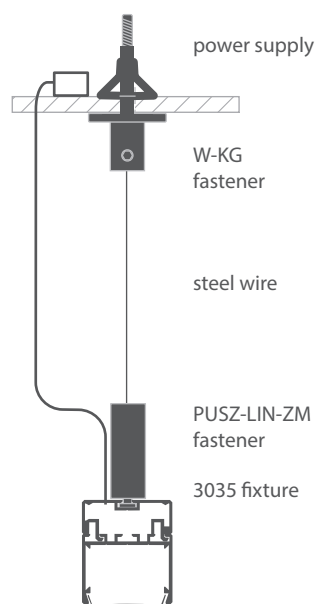
1) Rod - non-conductive (drop lead)



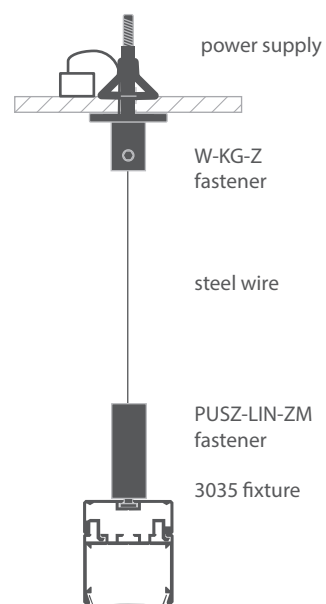
2) Rod - conductive driven power supply



3) Wire - non-conductive (drop lead)



4) Wire - Rod - conductive driven power supply



Tools needed for mounting:

- drill
- pliers
- allen wrench
- soldering iron

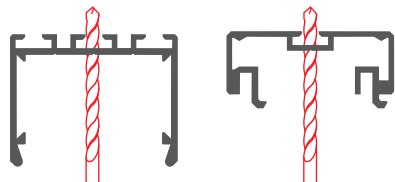
NOTE! All LED strips must be connected to a 12 V or 24 V power supply.

IMPORTANT: The manual presents the simplest mounting procedure.
More mounting procedures and related accessories can be found at klusdesign.eu

*If fully built fixtures are ordered and received from KLUS please skip to #3

1. Drill 2 holes in the mounting track to install the fasteners and 1 hole in the extrusion to lead the powering cables.

cross-section

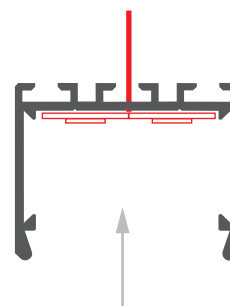


top view

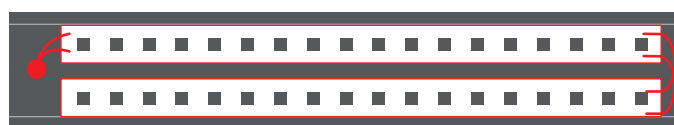


2. Mount the LED strip in the extrusion and lead the cable through a pre-drilled hole.

cross-section

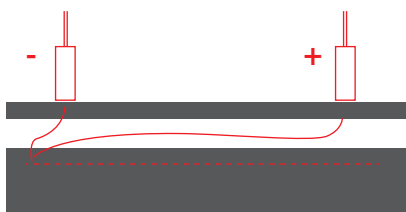


bottom view

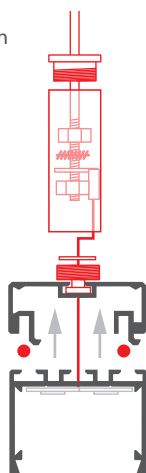


3. Install the PUSZ-PRET-ZM fasteners with rods on the mounting track and join the extrusion and mounting track with the use of BLOK springs. One pole of power should be connected to a single fastener. Both fastener and 3035 extrusion installation manuals can be downloaded at www.klusdesign.eu.

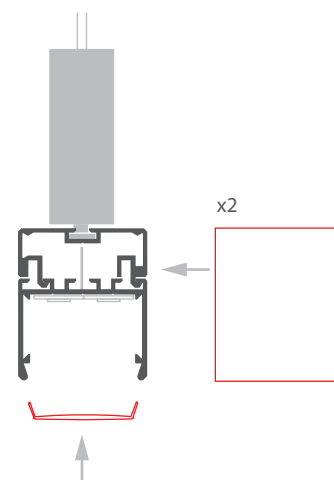
side view



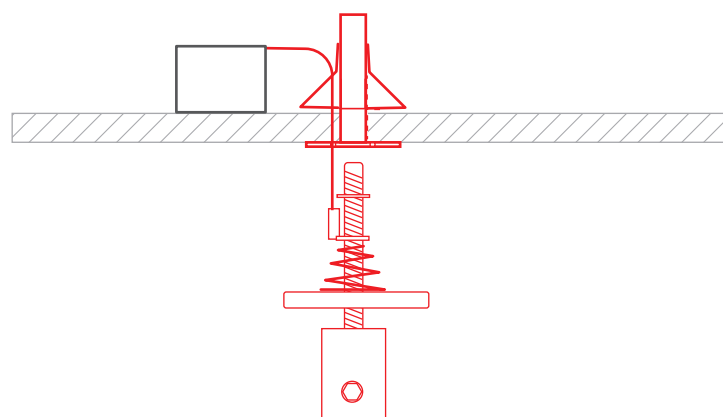
cross-section



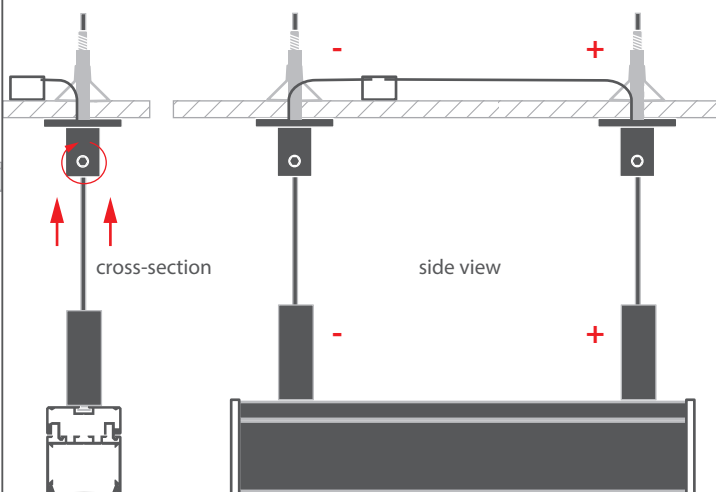
4. Install the cover and both end caps.



5. Install the W-KG-Z ceiling fasteners. The fastener installation manual can be downloaded at www.klusdesign.eu. Connect the cables, each for the single power pole to the fasteners. The cables should go through a pre-drilled hole just under the masking cover of the fastener.



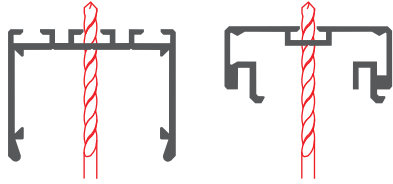
6. Mount the fixture with rods into the ceiling fasteners. Connect the cable to the power supplier, leading it through a pre-drilled hole in the ceiling.



*If fully built fixtures are ordered and received from KLUS please skip to #3

1. Drill the holes in both extrusion and the mounting track to lead the powering cables.

cross-section

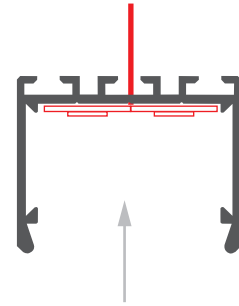


top view

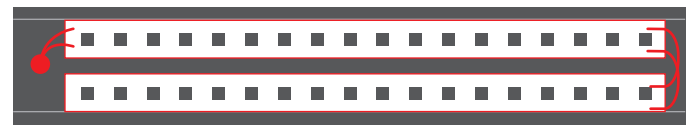


2. Mount the LED strip in the extrusion and lead the cable through a pre-drilled hole.

cross-section

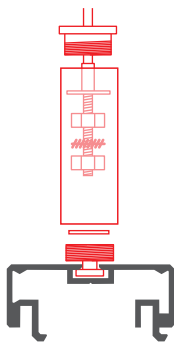


bottom view



3. Install the PUSZ-PRET-ZM fasteners with rods on the mounting track. The fastener installation manual can be downloaded at www.klusdesign.eu.

cross-section

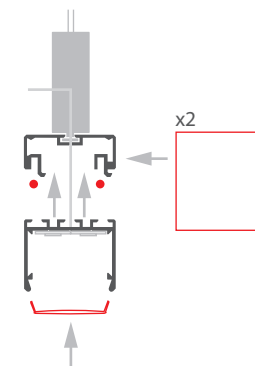


top view



4. Join the extrusion with the mounting track with the use of BLOK springs. Installation manual for 3035 extrusion can be downloaded from www.klusdesign.eu. Install the cover and both end caps.

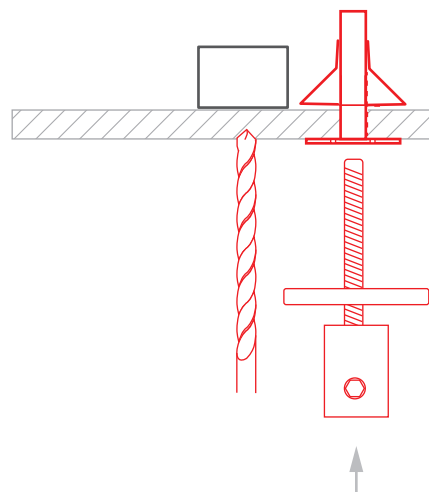
cross-section



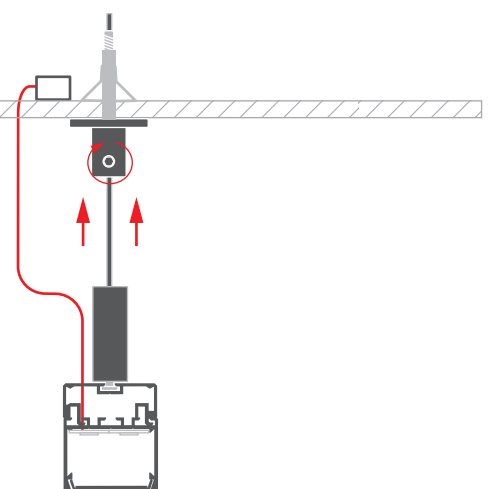
top view



5. Install the W-KG ceiling fasteners. The fastener installation manual can be downloaded at www.klusdesign.eu. Place the power supplier next to the fastener and drill the ceiling to lead the cable to it.



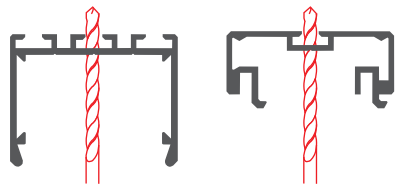
6. Mount the fixture with rods into the ceiling fasteners. Connect the cable to the power supplier, leading it through a pre-drilled hole in the ceiling.



*If fully built fixtures are ordered and received from KLUS please skip to #3

1. Drill the holes in both extrusions and the mounting track to lead the powering cables.

cross-section

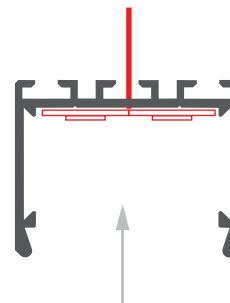


top view

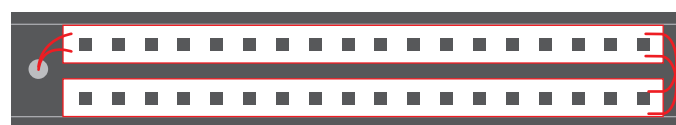


2. Mount the LED strip in the extrusion and lead the cable through a pre-drilled hole.

cross-section

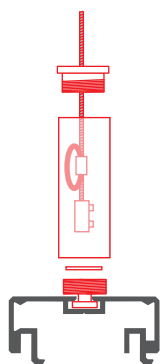


bottom view



3. Install the PUSZ-LIN-ZM fasteners with rods on the mounting track. The fastener installation manual can be downloaded at www.klusdesign.eu.

cross-section

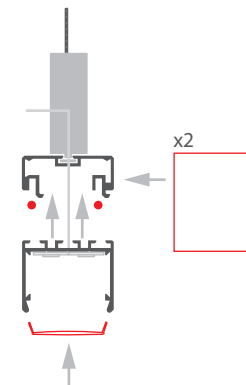


top view



4. Join the extrusion with the mounting track with the use of BLOK springs. Installation manual for 3035 extrusion can be downloaded from www.klusdesign.eu. Install the cover and both end caps.

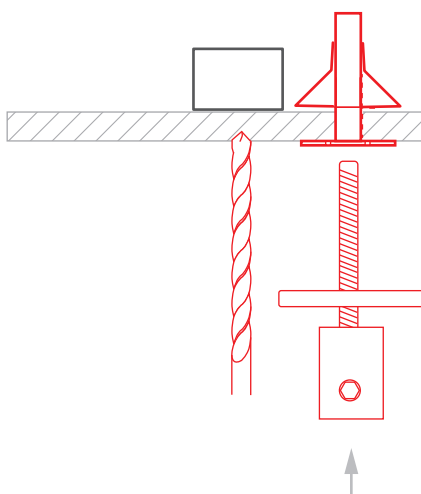
cross-section



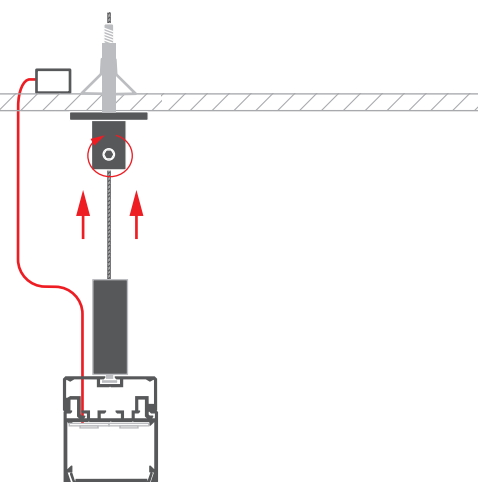
top view



5. Install the W-KG ceiling fasteners. The fastener installation manual can be downloaded at www.klusdesign.eu. Place the power supplier next to the fastener and drill the ceiling to lead the cable to it.



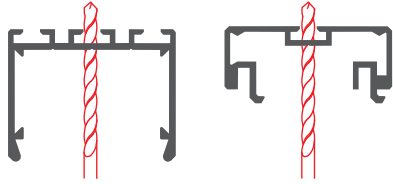
6. Mount the fixture with rods into the ceiling fasteners. Connect the cable to the power supplier, leading it through a pre-drilled hole in the ceiling.



*If fully built fixtures are ordered and received from KLUS please skip to #3

1. Drill the holes in both extrusions and the mounting track to lead the powering cables.

cross-section

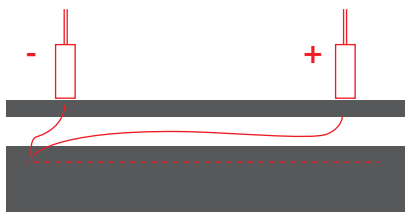


top view

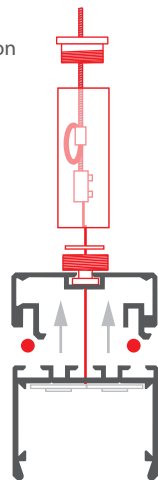


3. Install the PUSZ-LIN-ZM fasteners with rods on the mounting track and join the extrusion and mounting track with the use of BLOK springs. One pole of power should be connected to a single fastener Both fastener and 3035 extrusion installation manuals can be downloaded at www.klusdesign.eu.

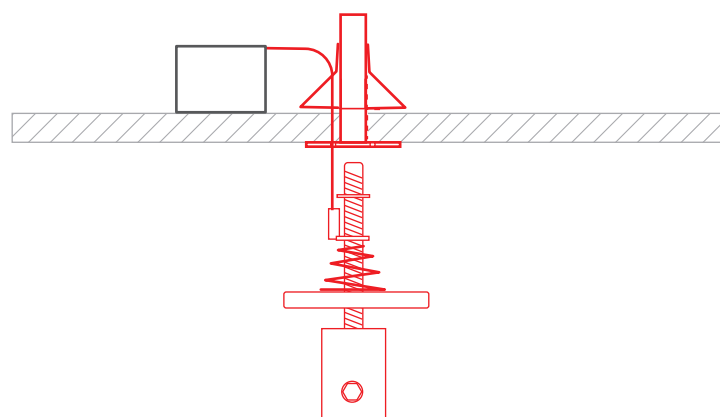
side view



cross-section

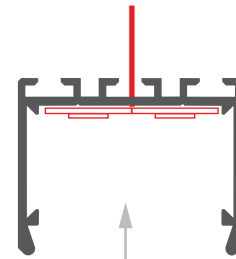


5. Install the W-KG-Z ceiling fasteners. The fastener installation manual can be downloaded at www.klusdesign.eu. Connect the cables, each for the single power pole to the fasteners. The cables should go through a pre-drilled hole just under the masking cover of the fastener.



2. Mount the LED strip in the extrusion and lead the cable through a pre-drilled hole.

cross-section

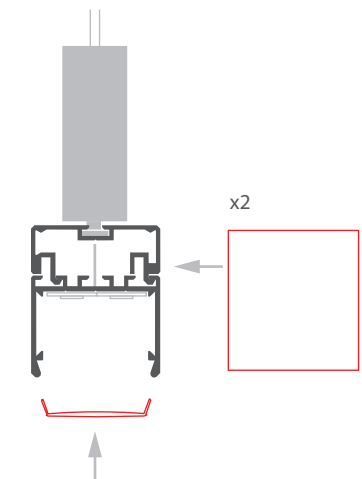


bottom view

Positive pole has to be soldered



4. Install the cover and both end caps.



6. Mount the fixture with rods into the ceiling fasteners. Connect the cable to the power supplier, leading it through a pre-drilled hole in the ceiling.

