

**Parts needed to mount the NISA-KRA extrusion**



Extrusion (A)



Mounting strip (B)



Cover (C)



End cap (D)



Silicone cord (E)



LED strip (F)

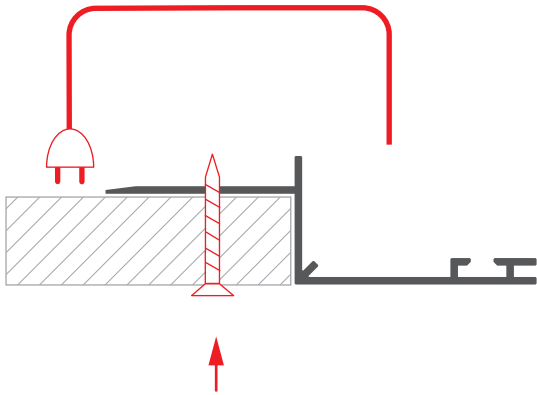
**Tools needed for mounting:**

- drill
- screwdriver

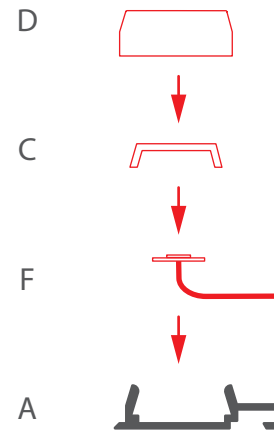
**WARNING!** All LED strips should be connected to a 12 V or 24 V power supply.

**IMPORTANT:** The mounting instructions present the basic form of assembly. More methods and related accessories can be found at [www.KlusDesign.eu](http://www.KlusDesign.eu)

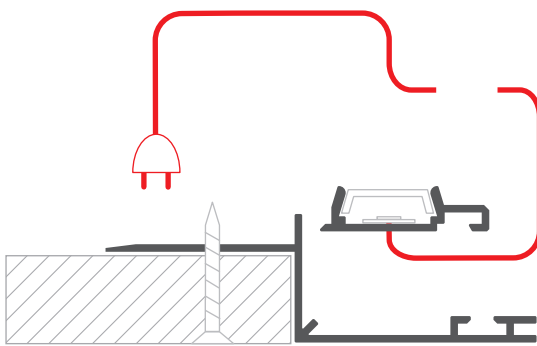
**1.** Feed the power cable and attach the mounting strip (B) to the surface with.



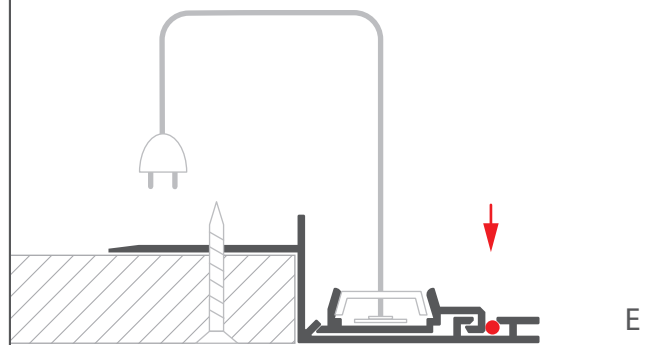
**2.** Feed the power cable. Mount the LED strip (F) and insert the cover (C) and end cap (D).



**3.** Connect power and assemble the extrusion (A) with the mounting strip (B).



**4.** Feed the silicone cord (E) into the hole.



**5.** After mounting the extrusion, apply plaster finish, smoothen and paint the surface.

