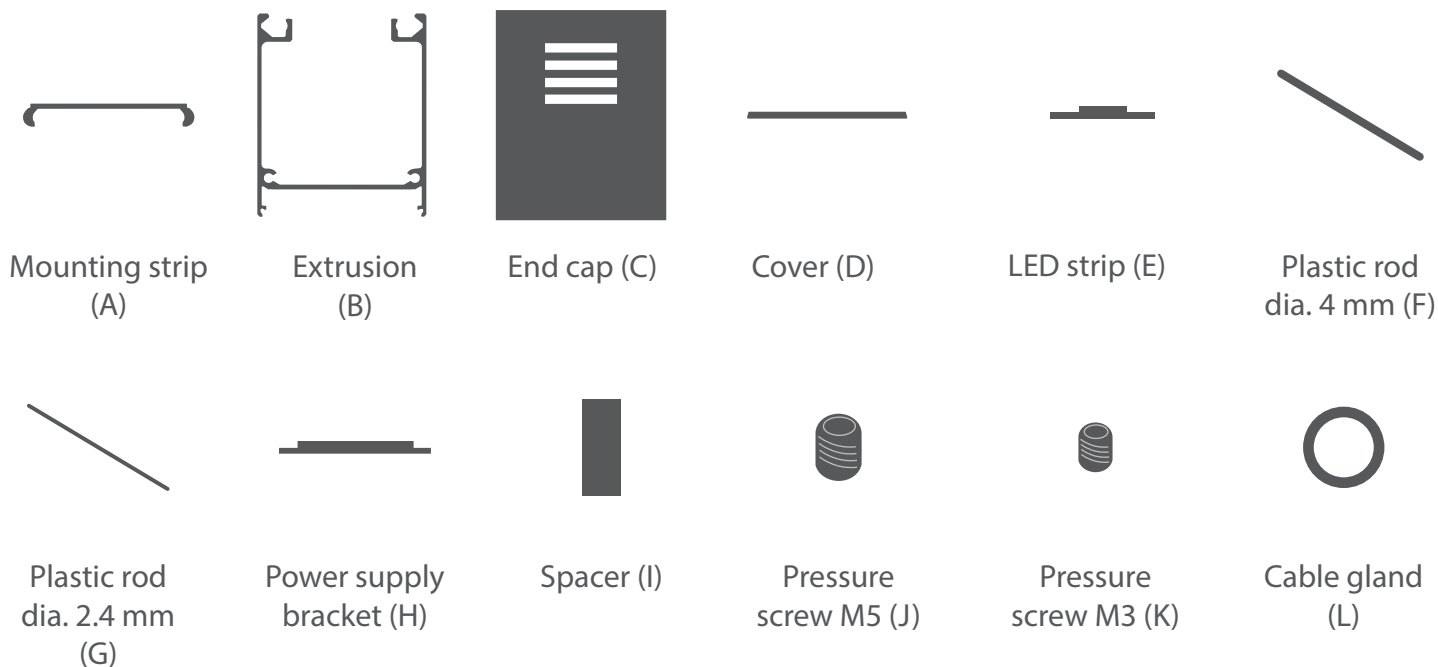


**Parts needed to mount the INTER extrusion**



**Tools needed for mounting:**

- drill
- screwdriver
- screws
- hand saw
- Allen wrenches (dia. 3 mm, dia. 5 mm)

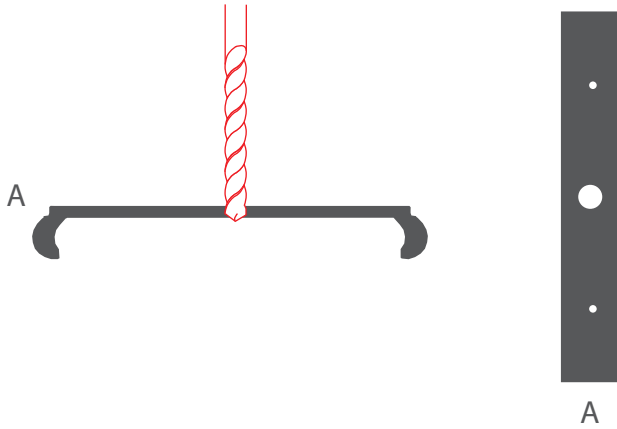
**NOTE!** All LED strips must be connected to a 12 V or 24 V power supply.

**IMPORTANT:** The manual presents the simplest mounting procedure.  
More mounting procedures and related accessories can be found at [klusdesign.eu](http://klusdesign.eu)

**1.** Drill holes for screws in the mounting strip (A) (min. two) and holes for cable glands.

cross - section

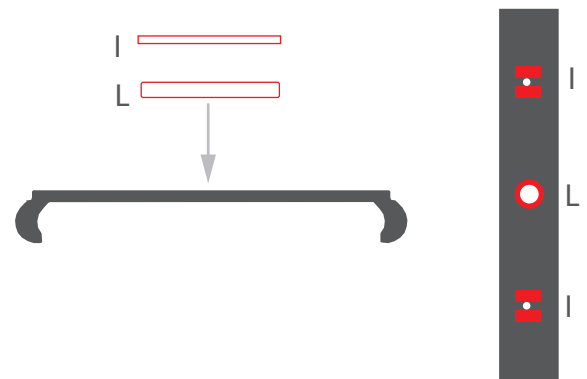
top view



**2.** Insert the cable gland (L) and the spacers (I) into the holes.

cross - section

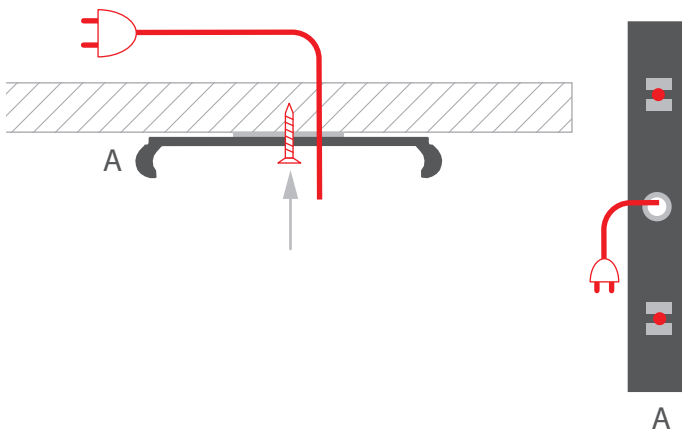
top view



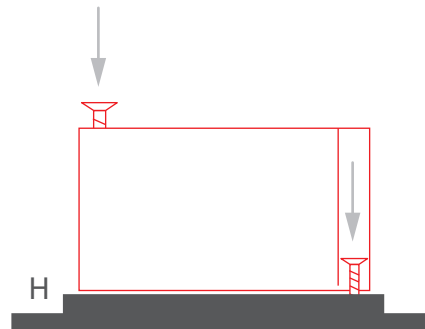
**3.** Attach the mounting strip (A) to the mounting surface with screws suitable for the mounting surface. Run the cable out through the gland.

cross section

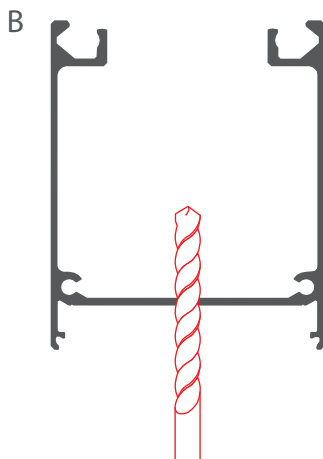
top view



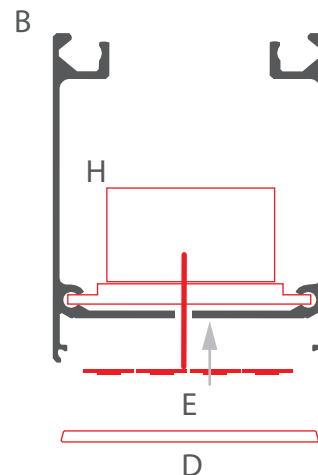
**4.** Attach the selected power supply to the power supply bracket (H).



**5.** Drill holes in the extrusion (B) to run power from the LED chamber to the power supply chamber.



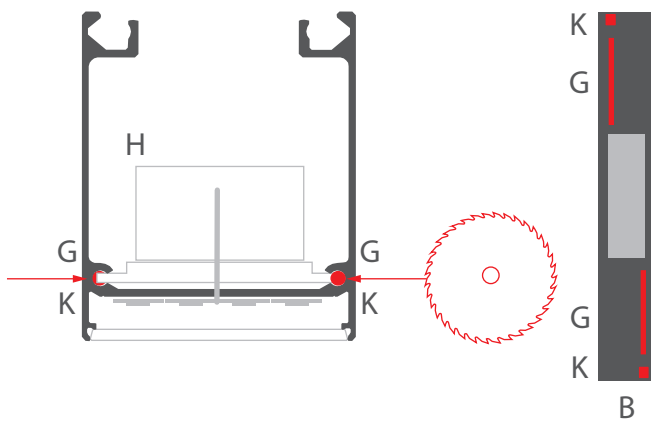
**6.** Mount the LED strips (E), insert the cover (D) and insert the power supply bracket (H) in the extrusion (B). Connect the LED strip (E) with the power supply.



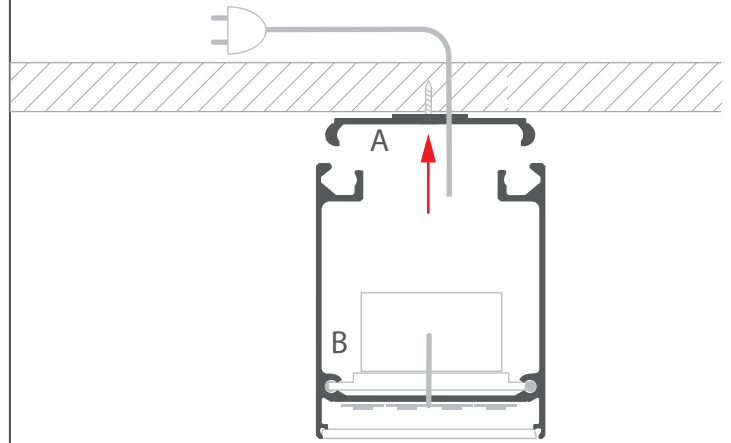
**7.** Secure the power supply bracket (H) with the power supply by inserting one 2.4 mm plastic rod (G) into the guides on each side. Cut the rods to the required length. Next secure the rods with M3 pressure screws (K), tightening them with the Allen wrench.

cross - section

top view



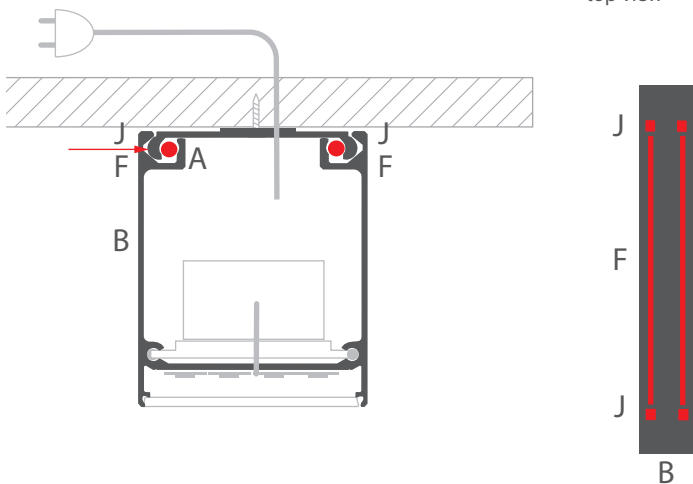
**8.** Insert the extrusion (B) into the mounting strip (A) and connect power.



**9.** Secure the extrusion (B) against falling off by inserting the 4 mm plastic rods (F) into the guides and tightening them with M5 pressure screws (J) using the Allen wrench. Sink the pressure screws deep enough so there is room for end caps.

cross - section

top view



**10.** Insert the end caps (C).

cross - section

top view

