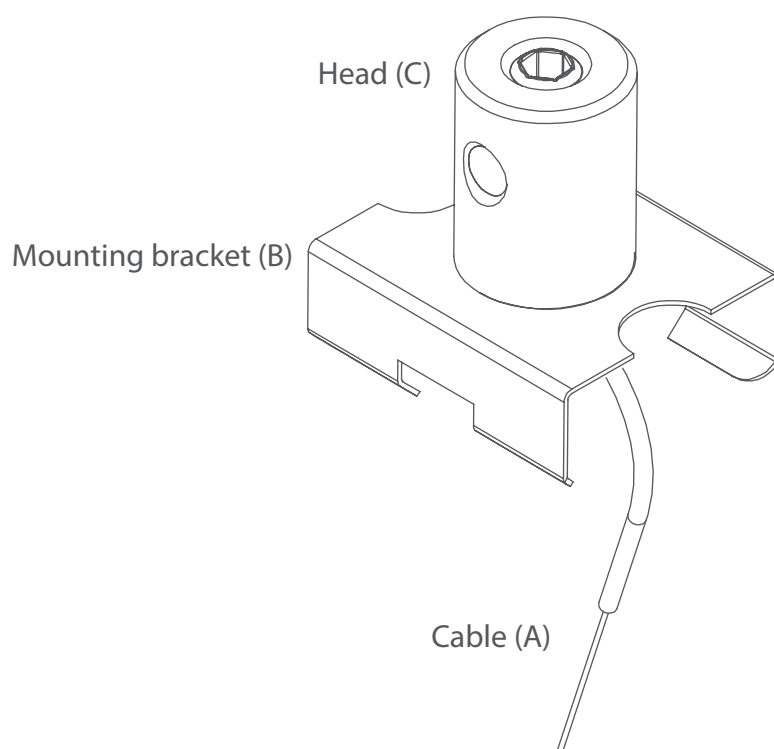


Parts needed to mount the ZO conductive head

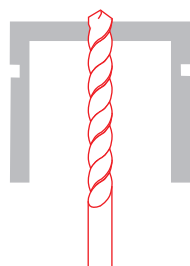


Tools needed for mounting:

- Allen wrench
- drill

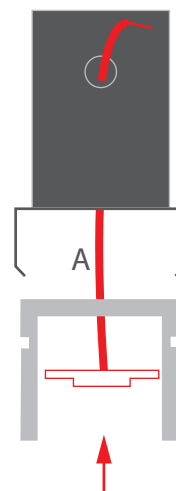
NOTE! A list of products corresponding with the selected accessories is available at www.KlusDesign.eu

1. Drill a 5mm diameter hole in the selected extrusion.

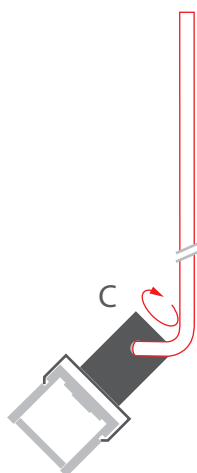


5 mm

2. Mount the LED strip (E) and run the cable (A) through the hole to the mounting bracket and through the head. Insert the lighting fixture into the mounting bracket.



4. Mount the arm in the head (C) by tightening the pressure screw in the head with the Allen wrench.



4. NOTE! The position of the lighting fixture on the arm can be adjusted in the range of 360° (depending on the distance of the fastener from the edge of the extrusion).

