

PRODUCT DESCRIPTION

- Simple design and functionality
- Low weight

FINISH :

Silver anodized

*Custom colors available upon request



Fill empty fields

Product nr.	
Fixture type	
Company	
Job name	
Date	

TECHNICAL SPECIFICATION

Application

- for surface mounting in existing furniture, built-ins, etc.

Assembly

- using screws appropriately selected for the mounting surface, placed under the LED strip
- with the TR surface spring

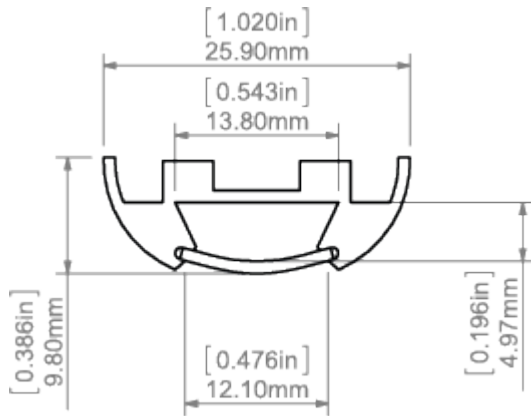
Additional information

- cover with a simple design
- spece for LED strip: 13.80 mm

AVAILABLE LENGTHS

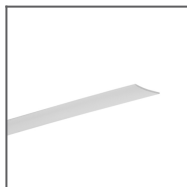
Ref. nr.	surface finish	available lengths
B5393ANODA_1	Silver anodized	1000 mm
B5393ANODA_2	Silver anodized	2000 mm

TECHNICAL DRAWING

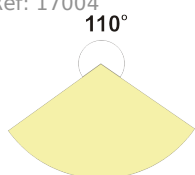


RELATED PRODUCTS

COVERS



T semi-transparent
Cover
Ref: 17004



END CAPS

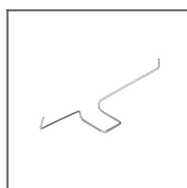


TOST white End
cap
Ref: 20054

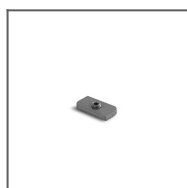
ACCESSORIES



8,8x1,2 Gland
Ref: 00802



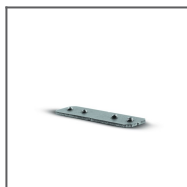
TR Spring
Ref: 00801V1



ZD Block
Ref: 42521



ZD-135 Connector
Ref: 43503



ZD-180 Connector
Ref: 43501



ZD-90 Connector
Ref: 43502



ZD-PION-135
Connector
Ref: 43505



ZD-PION-90
Connector
Ref: 43504

MARKETING MATERIALS



Presentation set 6
Ref: 90125