

PRODUCT DESCRIPTION

- Small size
- Masking the edge of the groove
- Low weight

FINISH :Non anodized (raw) Silver anodized 

*Custom colors available upon request



Fill empty fields

Product nr.	
Fixture type	
Company	
Job name	
Date	

TECHNICAL SPECIFICATION**Application**

- construction of recessed lighting fixtures as furniture lighting

Assembly

- with mounting adhesive
- in grooves with mounting springs

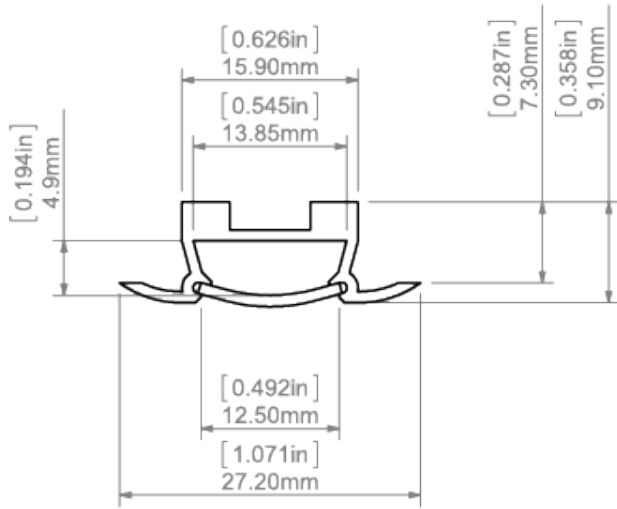
Additional information

- cover with a simplified design
- spece for LED strip: 13.85 mm

AVAILABLE LENGTHS

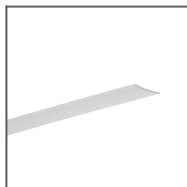
Ref. nr.	surface finish	available lengths
B5392ANODA_1	Silver anodized	1000 mm
B5392ANODA_2	Silver anodized	2000 mm

TECHNICAL DRAWING

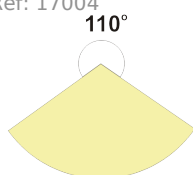


RELATED PRODUCTS

COVERS



T semi-transparent
Cover
Ref: 17004



END CAPS



TAKO white End
cap
Ref: 20053

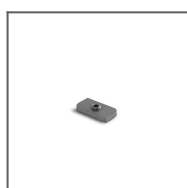
ACCESSORIES



8,8x1,2 Gland
Ref: 00802



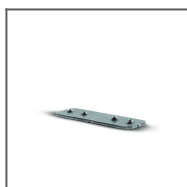
KDU Spring
Ref: 00844V1



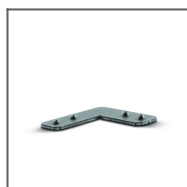
ZD Block
Ref: 42521



ZD-135 Connector
Ref: 43503



ZD-180 Connector
Ref: 43501



ZD-90 Connector
Ref: 43502



ZD-PION-135
Connector
Ref: 43505



ZD-PION-90
Connector
Ref: 43504

MARKETING MATERIALS



Presentation set 6
Ref: 90125