

PRODUCT DESCRIPTION

- Miniature external dimensions (outer diameter 10.5 mm)
- Smooth exterior walls for a modern look
- Easy bending of the profile
- Narrow, subtle line of light

FINISH :

Silver anodized Black anodized

*Custom colors available upon request



Fill empty fields

Product nr.	
Fixture type	
Company	
Job name	
Date	

TECHNICAL SPECIFICATION

Application

General purpose profile.

Assembly

With conductive end caps.

Additional information

The lighting fixture is 360 degrees rotatable when coupled with [PIKO-O conductive end caps](#)PIKO-O is compatible with **5 mm wide LED strips**. The PIKO-O profile is available as silver anode and black anode.Minimum internal bending radius: 150 mm.
Minimum external bending radius: 1000 mm.

Maximum deflection of the PIKO-O profile at a length of:

- 3 m is 45 mm
- 2 m is 25 mm
- 1.75 m is 15 mm
- 1.50 m is 10 mm
- 1.20 m is 5 mm
- 1 m is 2 mm

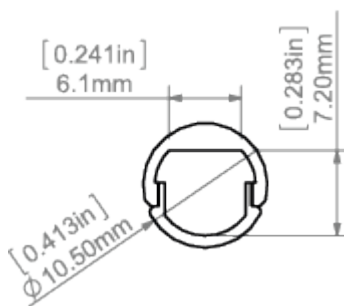
The [PIKO-O conductive end cap](#) is designed for single-pole conductivity.

The maximum forward current for the **PIKO-O conductive end cap** is 2 A.

AVAILABLE LENGTHS

Ref. nr.	surface finish	available lengths
C1167ANODA_1	Silver anodized	1000 mm
C1167ANODA_2	Silver anodized	2000 mm
C1167ANODA_3	Silver anodized	3000 mm
C1167ANODAK7_1	Black anodized	1000 mm
C1167ANODAK7_2	Black anodized	2000 mm
C1167ANODAK7_3	Black anodized	3000 mm

TECHNICAL DRAWING



RELATED PRODUCTS

COVERS

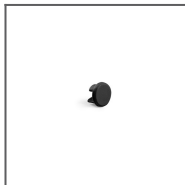


LUK-10 frosted
Cover
Ref: 17164

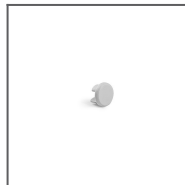
END CAPS



PIKO-O electricity
conductive End
cap
Ref: 42631



PIKO-O black End
cap
Ref: 24327



PIKO-O grey End
cap
Ref: 24321